

8' x 6' Shiplap Apex Shed

IMPORTANT, RETAIN FOR FUTURE REFERENCE; READ CAREFULLY

This building is pre-treated with a factory base coat for protection during storage and transit. We recommend that you treat your new building as soon as possible after assembly using a wood preservative treatment. Apply in accordance with the manufacturers instructions.

- This product must be built on a solid level base.
- The roof of this building is not a load bearing structure.
- Timber is a natural material. It will shrink and swell as a result of varying moisture content.
- Due to the nature of the material the doors may need some trimming for a neater fit.
- Please keep all plastic bags and small parts away from children

Technical Helpline: **0333 7777 089** 8.30 am and 5.00 pm Monday to Friday.

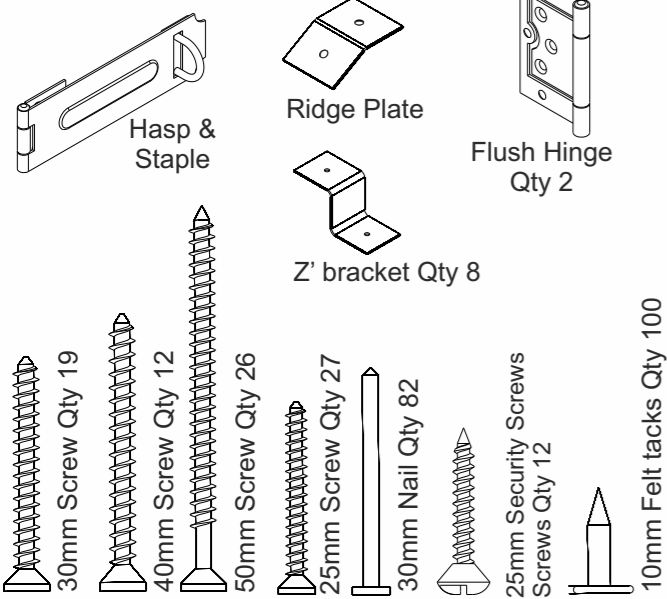
Please check all parts prior to assembly

Assembly of damaged parts may be deemed to be acceptance and this may affect the remedies you are entitled to. If the product is not constructed in accordance with the instructions, or is altered in any way (e.g. painted), the manufacturer cannot be held liable for any resulting damage.

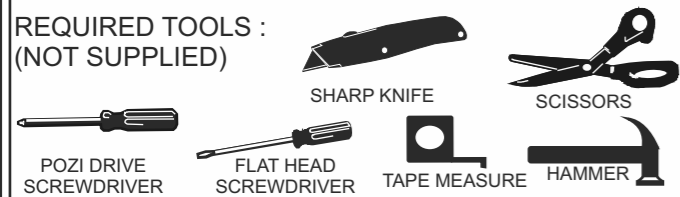
Fixing Pack (OPA68FP)

This fixing pack is used for several products. There may be additional fixings.

Not to Scale



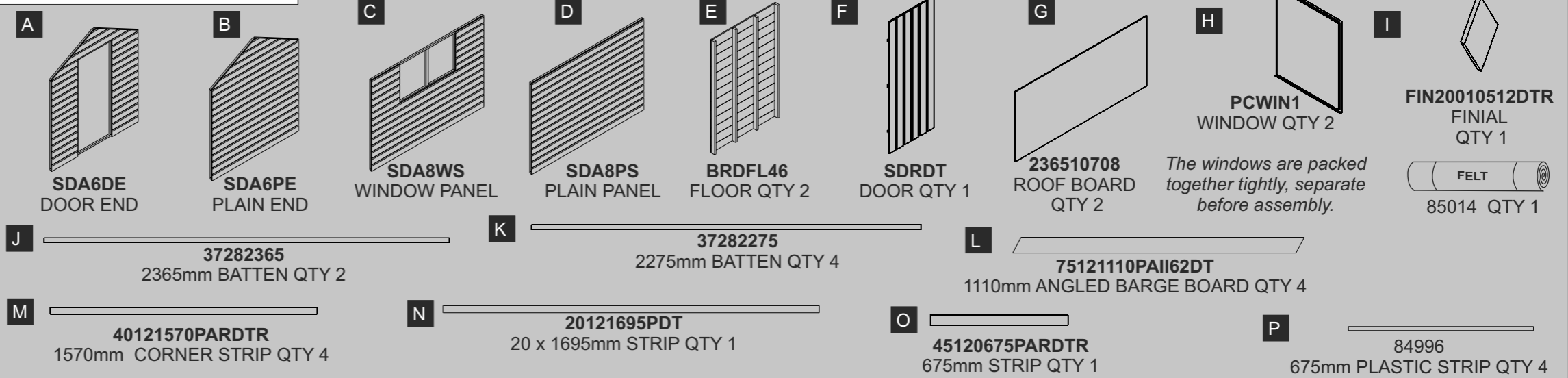
REQUIRED TOOLS : (NOT SUPPLIED)



Important : Assembly of this shed requires a minimum of two adults.

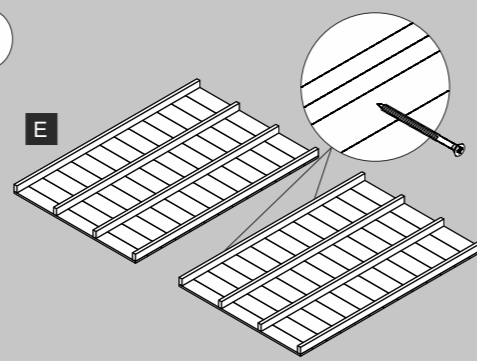


SDA68 PARTS LIST



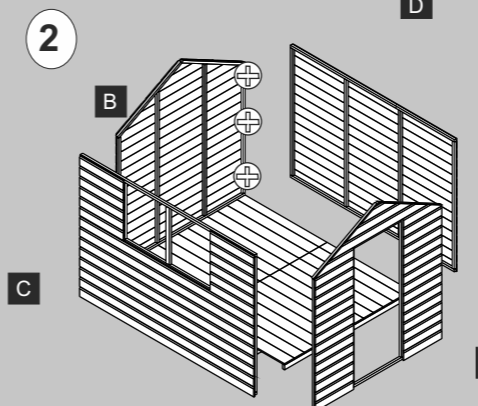
The windows are packed together tightly, separate before assembly.

1



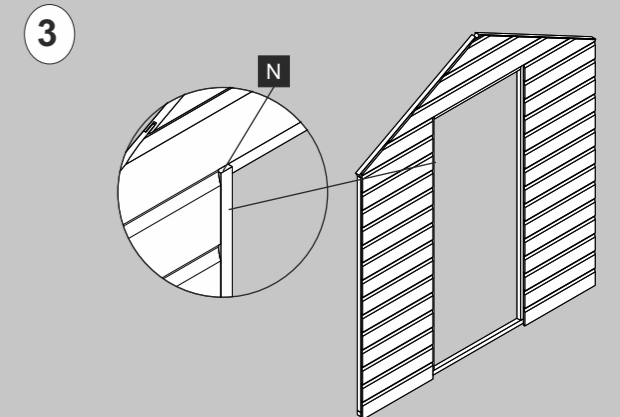
Fix both of the floors together using 2x50mm screws screwing through the floor bearers as shown.

2



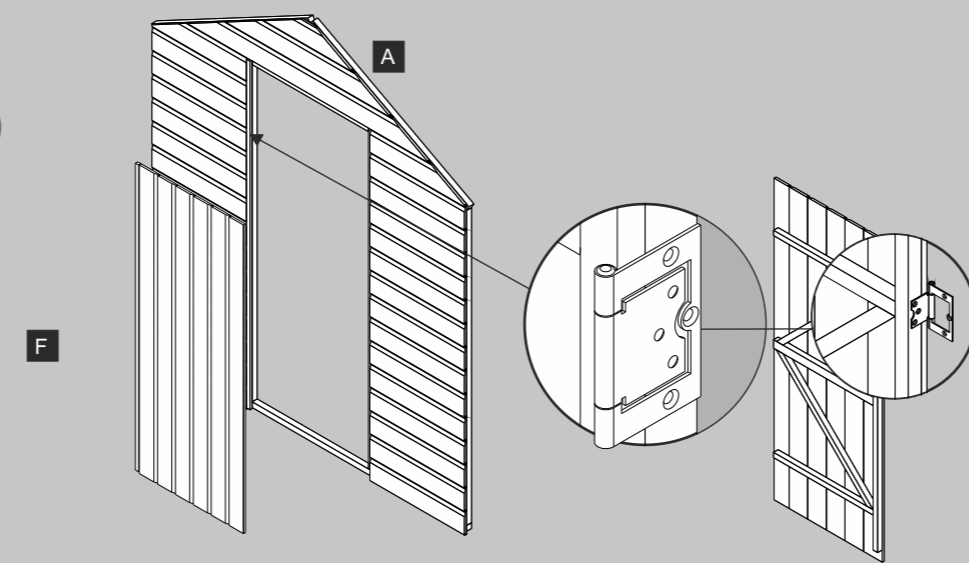
Place the panels on top of the completed floor. Make sure that all the panels are tight and flush before fixing them to each other using 3x50mm screws. When the panels are secured to each other, make sure they are square and fix them to the floor using 3x50mm screws for each panel. Make sure the screws are positioned so that they locate into the bearers underneath.

3



Fix the 20 x 1695mm strip to the side of the door frame so that it is tight with the cladding and flush with the frame. Use 3 x 30mm screws.

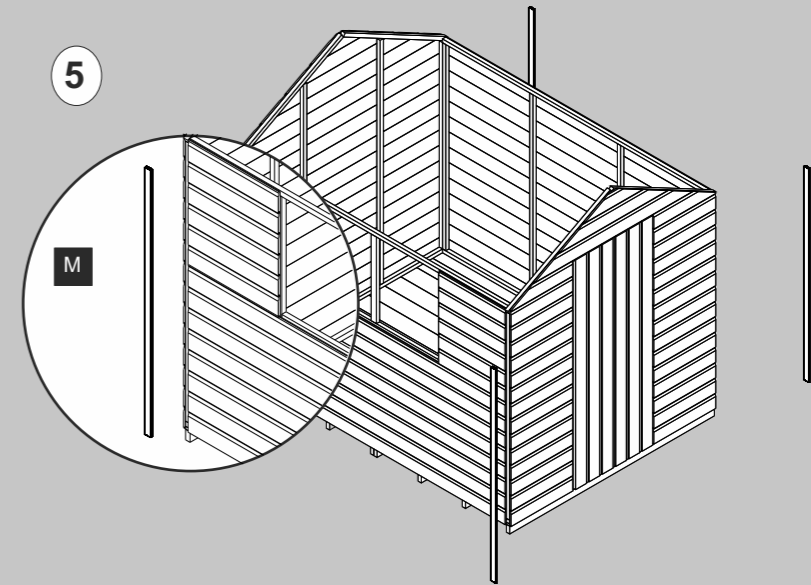
4



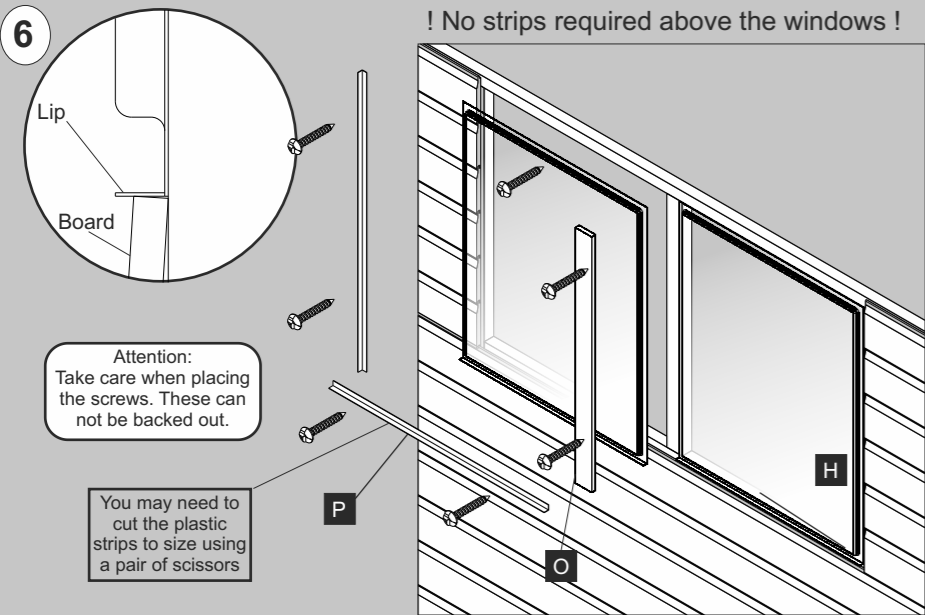
Place the hinge against the inside of the door frame and position the large section of the hinge so that it is flush with the inside of the framing as shown. Fix with 25mm screws.

Open the hinge and fix the smaller section to the door framing. Again make sure that the hinge is flush and that the holes are positioned so that the 25mm screws locate correctly into the batten.

5



Place the corner strips so that they cover the joints between the panels. Fix each in place using 3x30mm screws.



! No strips required above the windows !

Attention:
Take care when placing the screws. These can not be backed out.

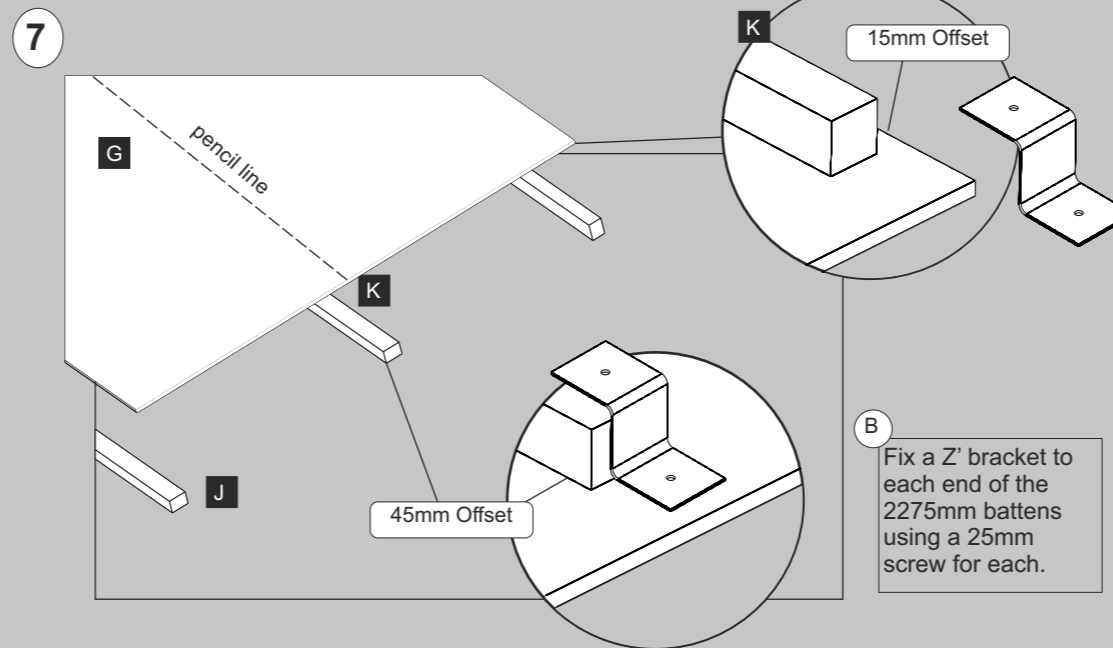
You may need to cut the plastic strips to size using a pair of scissors

Place the window from the outside so that the lip sits on the bottom board as shown.

Place the plastic strips along the outer edge and bottom of each window so that one side butts up against the cladding.

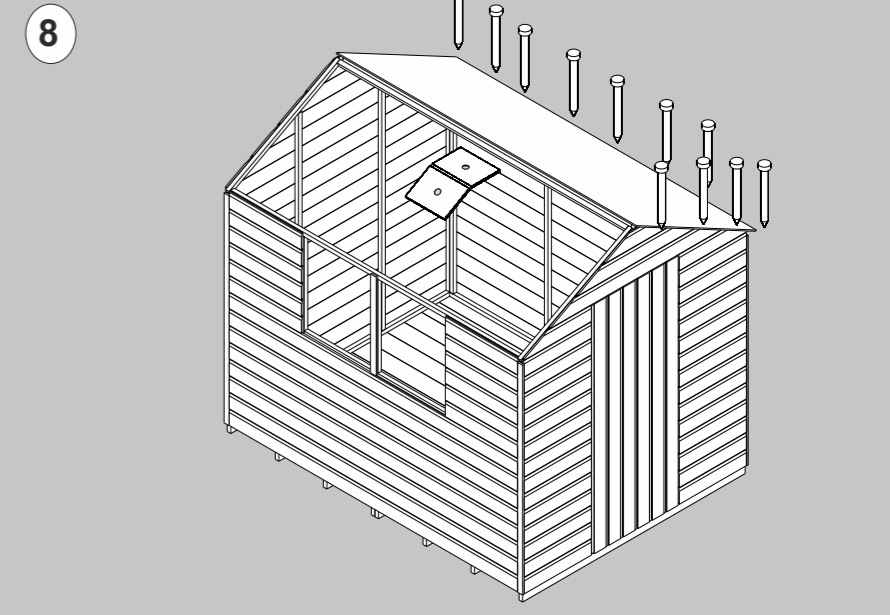
Fix the plastic strips and the window in place using 2 x security screws for each strip. Secure top of each window in place with 1 x security screw..

Fix the 675mm timber strip vertically between the two window sheets so that it overlaps both sides. Fix this to the framework using 2 x security screws.



A Nailing through the roof sheet into the battens, position the battens as shown.

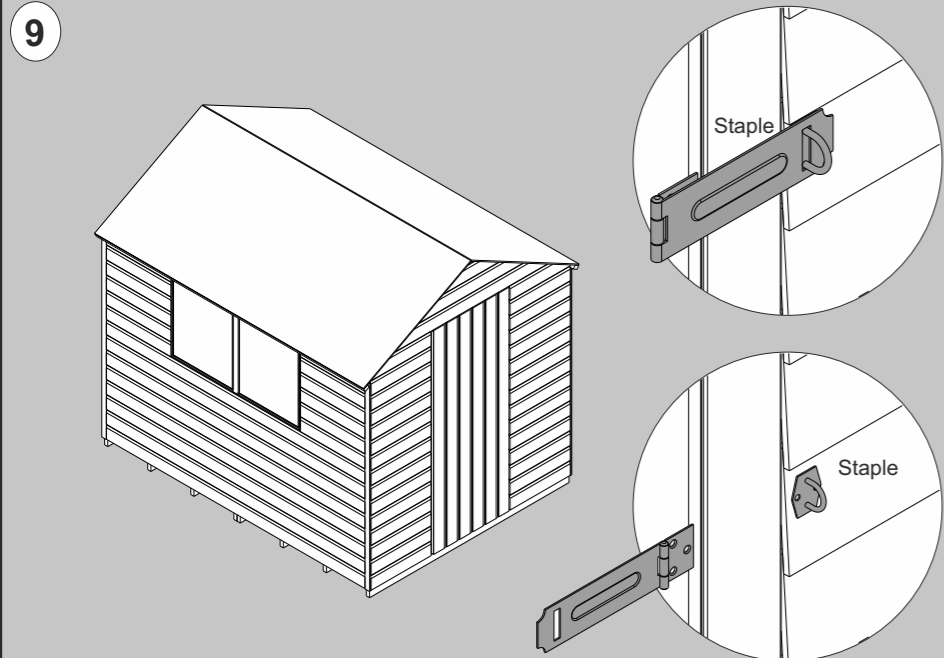
1. The 2365mm batten (J) should be flush on all sides.
2. Place a 2275mm batten (K) so that it is offset 45mm on either side and has a 15mm offset on the long side.
3. Place another 2275mm batten (K) in between, again with a 45mm offset on both sides. Fix each batten in place using 30mm nails spaced in 300mm intervals.



Lift the roof sections into place making sure that they are in line with the apex and the front and back panels of the shed.

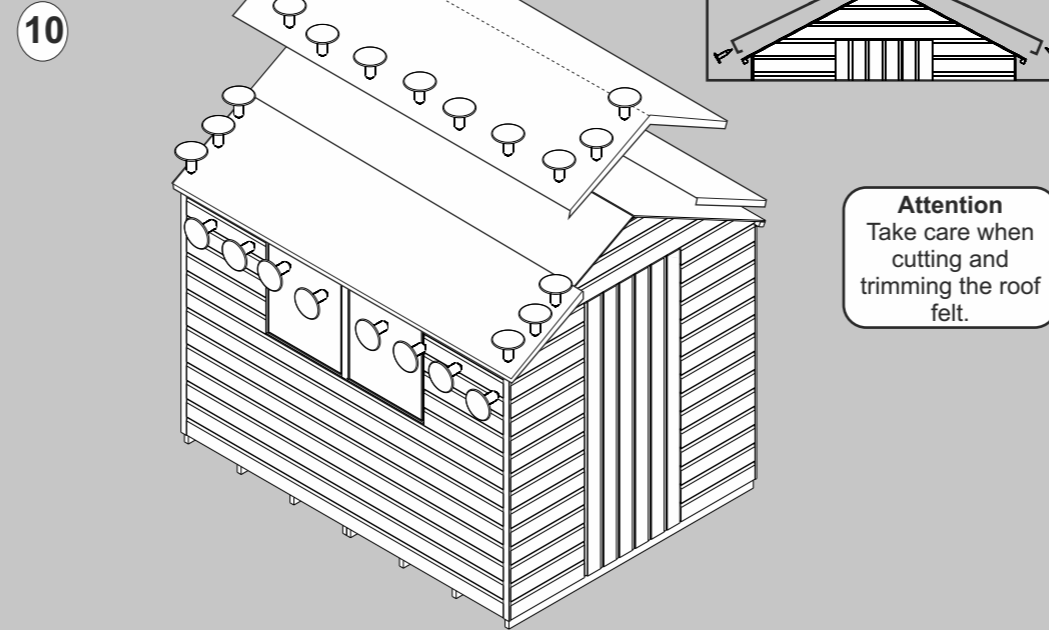
Fix the roof in place using 30mm nails spaced in approximately 300mm intervals (Make sure the nails locate into the framework of the side and end panels)

Fix the ridge plate from inside the shed so that it bridges the two battens at the apex together. Fix using 2 x 25mm screws



Before fixing the Hasp to the door make sure that it is in line with the framing on the reverse and is positioned so that it will close over the Staple. Fix this in place using 3 x 25mm screws.

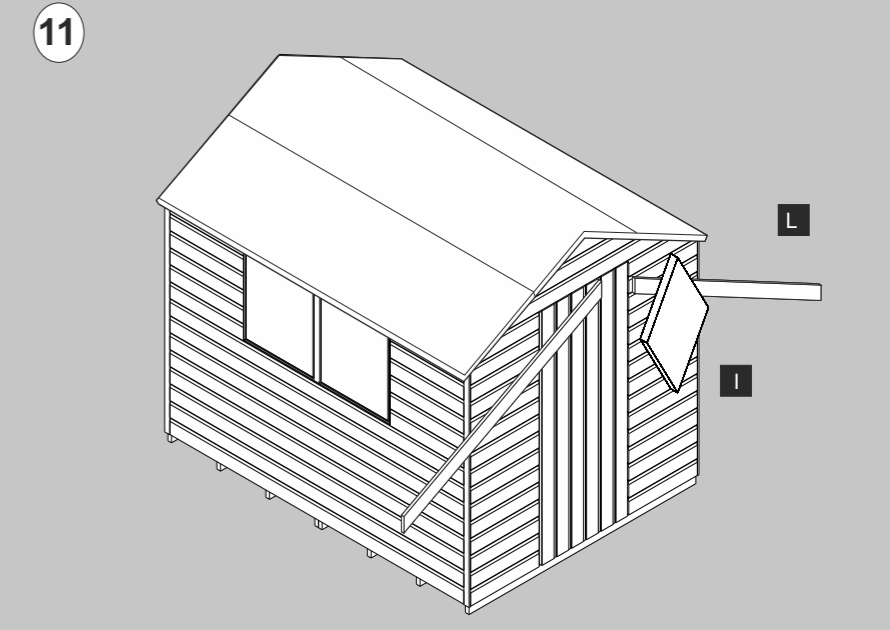
Position the Staple opposite, again making sure that it is in line with the framing behind and fix it in place using 2 x 25mm screws.



Unroll the felt and cut it into three equal lengths. Place a section on each eaves so that there is a 50mm overhang on each edge as shown. Fix this to the roof using felt nails spaced in 150mm intervals. Cut and fold the corners securing with a single felt nail for each.

Place the remaining section as shown making sure that the it overlaps the others. Again secure each sheet in place using felt nails spaced in 150mm intervals.

Attention
Take care when cutting and trimming the roof felt.



Place the barge boards against the ends of the building so that they are flush with the overhang of the roof and in line with the top. Fix each in place using 3x40mm screws.

Place the finial over join of barge boards at front of shed. Secure in place using 2x30mm screws.

Biocidal Product Regulation (EU 528/2012) Article 58 Information

This article contains timber treated with Celcure AC-500, incorporating biocidal products to give protection against wood destroying insects & wood rotting fungi.

Contains: Basic copper carbonate (Copper (II) carbonate – Copper (II) hydroxide (1:1)), Boric acid, Benzalkonium chloride.

Wear gloves when handling freshly treated wood. Avoid breathing dust when cutting treated or untreated wood. Dispose of off-cuts responsibly – do not burn.

Maintenance.

We recommend that you treat your shed at the beginning of each season with wood preservative treatment. Apply in accordance with the manufacturers instructions.

Regularly check (1) All fixings are secure (2) Roofing felt is free of holes and tears (3) Sand off any rough/sharp edges.