

Wheelie Bin Store

IMPORTANT: RETAIN FOR FUTURE REFERENCE: READ CAREFULLY.

Check all parts are present prior to assembly.

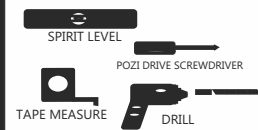
- Always pre-drill timber to avoid splitting.
- The timber in this product is pressure treated to ensure longevity and protection against rot. This may leave colour variations, but these will even out as the moisture content stabilises.
- In line with your statutory rights, please check all parts prior to assembly, as assembly of damaged parts may be deemed to be acceptance and this may affect the remedies you are entitled to. If the product is not constructed in accordance with the instructions, or is altered in anyway (e.g. painted), the manufacturer cannot be held liable for any resulting damage.
- Timber is a natural material and will shrink and swell as a result of varying moisture content.
- Keep all plastic bags and parts away from children.
- This product must be built on a solid level base.

Technical Help line: 0333 7777 089 8:30am - 5:00pm Monday to Friday

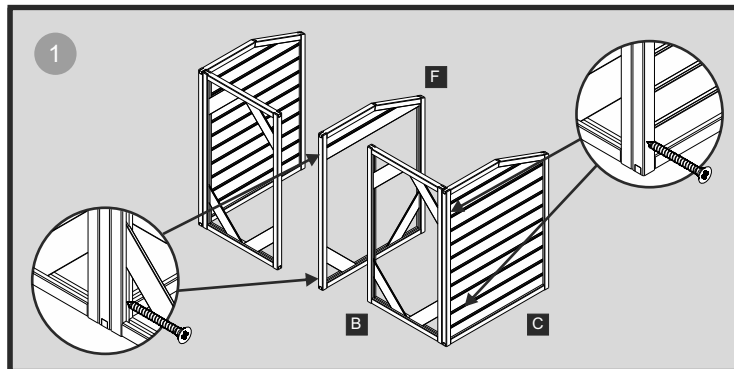
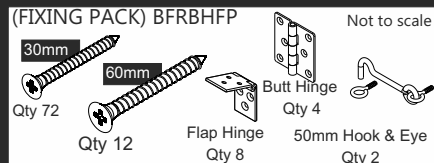
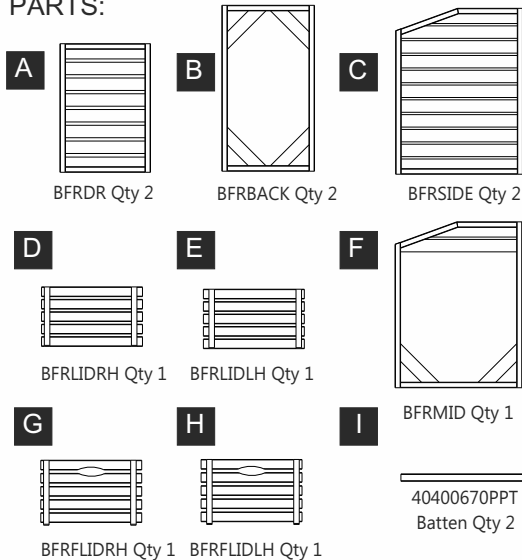
Important: Assembly of this product requires a minimum of two adults



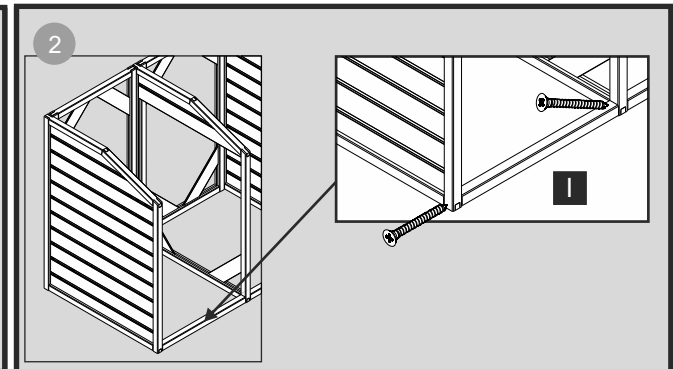
REQUIRED TOOLS (NOT SUPPLIED)



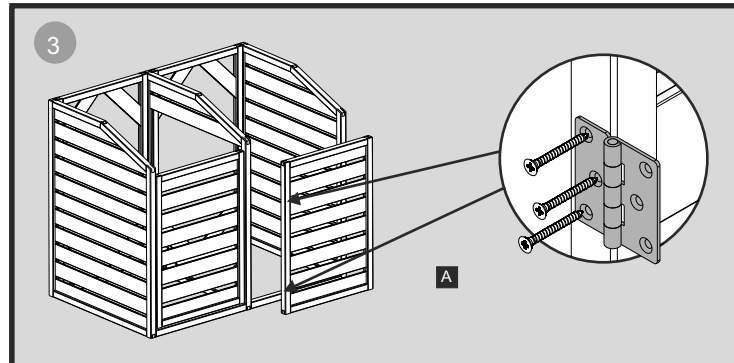
PARTS:



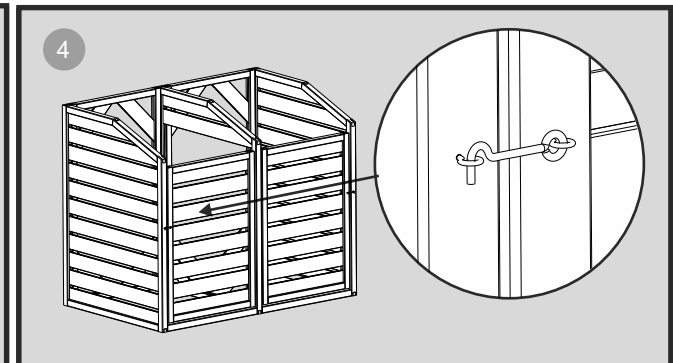
Fix the sides to the back panels using 2 x 60mm screws. Place the middle section in between these and secure this in place by screwing through the sides of the back sections into the framework of the middle section using 2 x 60mm screws for each.



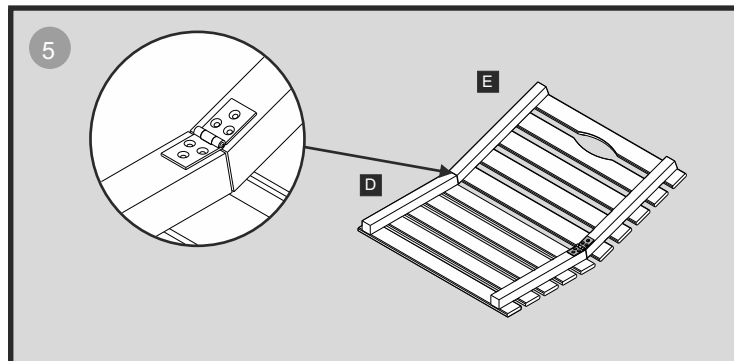
Place the 670mm batten between the sides and flush with the front as shown. Fix the batten in place using a 60mm screw for each end. Screwing through the side section into the batten and at an angle to secure the batten to the middle panel.



Place and fix two of the Butt Hinge's to each of the doors. Position each of them approximately 150mm from the top and bottom. Fix each in place using 3 x 30mm screws. Position the doors so that they open freely and fix the other section of the hinge in place using 3 x 30mm screws.

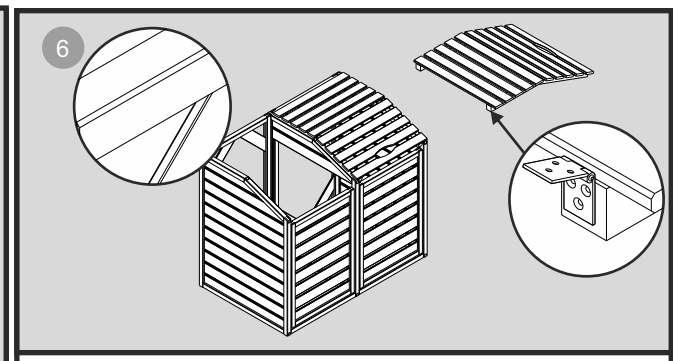


Place and fix the hasp to the framing of the door and the hook to the end section as shown.



Fix the two right handed roof sections together, fixing two of the Flap Hinge's on the underside as shown using 6 x 30mm screws for each.

Make sure the roof folds easily and repeat for the other sections.



Fix the remaining Flap Hinge's to the back sections of the roof and inside the framing of the back panel using 6 x 30mm screws for each hinge.

Attention: Take care not to trap fingers in the roof joints when using this product.

This article contains biocidal products to give protection against wood destroying insects & wood rotting fungi. Contents may vary. May contain: Basic copper carbonate (Copper (II) carbonate - Copper (II) hydroxide (1:1); Cupric oxide, Copper hydroxide carbonate, oxyethyl, ammoniumpropionate, Copper HDO, Propiconazole, Tebuconazole, Boric acid, Benzalkonium chloride. Wear gloves when handling freshly treated wood. Avoid breathing dust when cutting treated or untreated wood. Dispose of off-cuts responsibly - do not burn.