

This article contains biocidal products to give protection against wood destroying insects & wood rotting fungi. Contents may vary. May contain : Basic copper carbonate (Copper (II) carbonate – Copper (II) hydroxide (1:1), Cupric oxide, Copper hydroxide carbonate, oxyethyl, ammoniumpropionate, Copper HDO, Propiconazole, Tebuconazole, Boric acid, Benzalkonium chloride. Wear gloves when handling freshly treated wood. Avoid breathing dust when cutting treated or untreated wood. Dispose of off-cuts responsibly – do not burn.

Pre-drill
for each screw
used.



Large Outdoor Store ODPLOSFP

Tools Required

Not Supplied

Drill/Pozi Drive
Screwdriver



Hammer



Sharp Knife



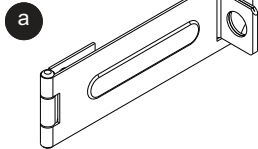
Tape Measure



Spirit Level



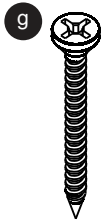
Fixing Pack Code = **ODPLOSFP**



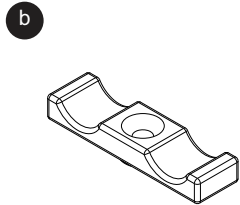
Hasp And Staple Qty 1



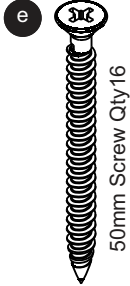
25mm Screw Qty 55



30mm Screw Qty 5



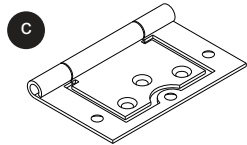
Turn Button Qty 2



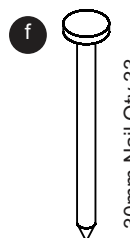
50mm Screw Qty 16



Felt Tacks Qty 40



Flush Hinge Qty 4



30mm Nail Qty 33

PARTS LIST

Item	Part Code	Part Description	Quantity
1	DOSFP	DTR OUTDOOR STORE FRONT PANEL	1
2	ODOSSP	OLAP DTR OUDOOR STORAGE SIDE PANEL	2
3	DOSDR	DTR OUTDOOR STORE DOOR	2
4	POSRF	PENT OUTDOOR STORE ROOF	1
5	73120694PAI4DT	BOARD 73x12x694mm PAR ANGLED DTREAT	2
6	45451828DT	BATTEN 45x45x1828mm DTREAT	1
7	45281183DT	BATTEN 45x28x1183mm DTREAT	1
8	44121372PDT	STRIP 44x12x1372mm PAR DTREAT	2
9	18287508	OSB 1828x750x8mm	1
10	28281828PT	BATTEN 28x28x1828mm PTREAT	3
11	18606858	OSB 1860x685x8mm	2
12	45281772DT	BATTEN 45x28x1772mm DTREAT	1
13	85063	BLACK FELT 2.5x1 METRE	1

Please check all parts prior to assembly.

Important:

Assembly of this product requires a minimum of two adults.

Attention:

- For Domestic Use Only.
- Must be built on a **solid** and **level** base.
- Regularly check that all fixing are tight and secure.
- Regularly check the felt for damage.

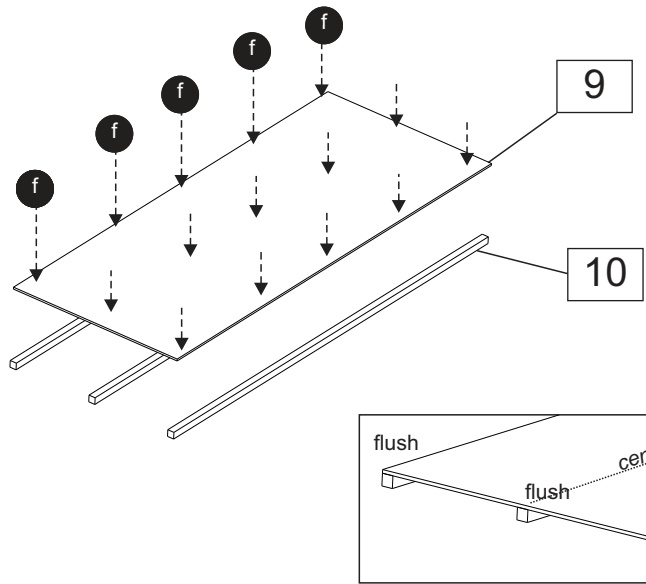
This product is pre-treated with a factory base coat for protection during storage and transit. We recommend that you treat your new product as soon as possible after assembly using a wood preservative treatment. Apply in accordance with the manufacturers instructions

- Please keep all plastic bags and small parts away from children.
- The roof of this product is not a load bearing structure.
- Timber is a natural material and will shrink and swell as a result of varying moisture content.

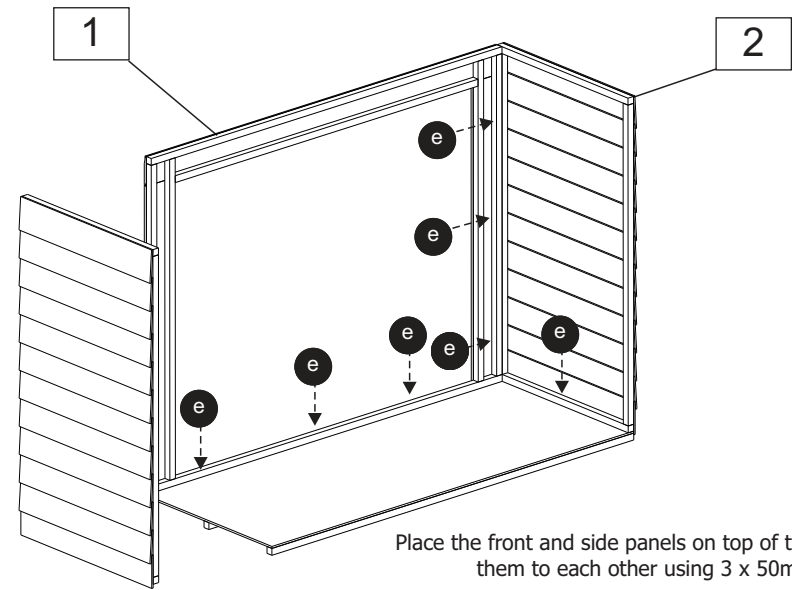
Assembly of damaged parts may be deemed to be acceptance and this may affect the remedies you are entitled to.

If the product is not constructed in accordance with the instructions, or is altered in anyway (e.g. painted), the manufacturer cannot be held liable for any resulting damage.

Help line: **0333 7777 089** 08:30 to 17:00 Monday to Friday

A

PRE-DRILL

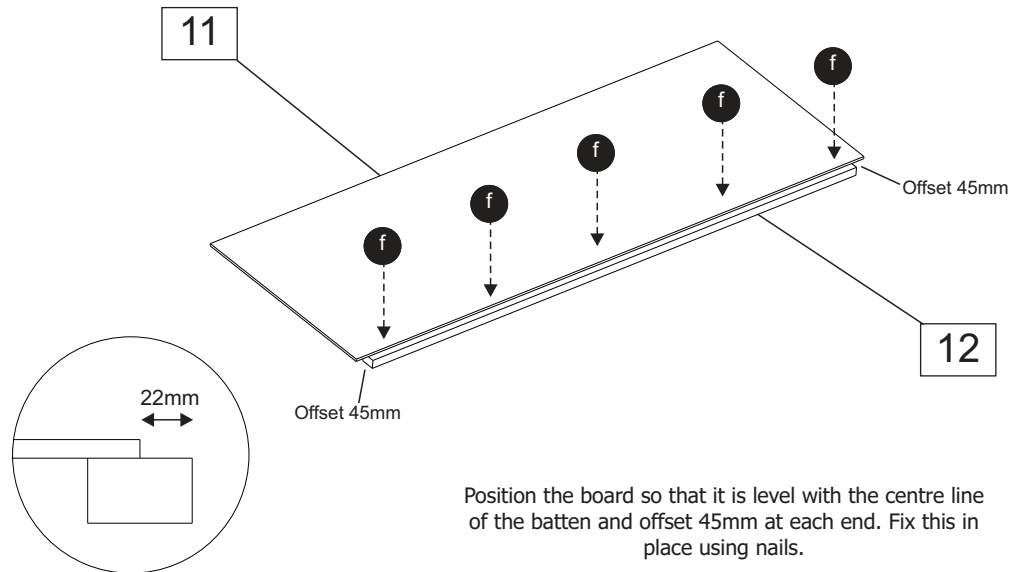
B

Place the front and side panels on top of the floor and secure them to each other using 3 x 50mm screws.

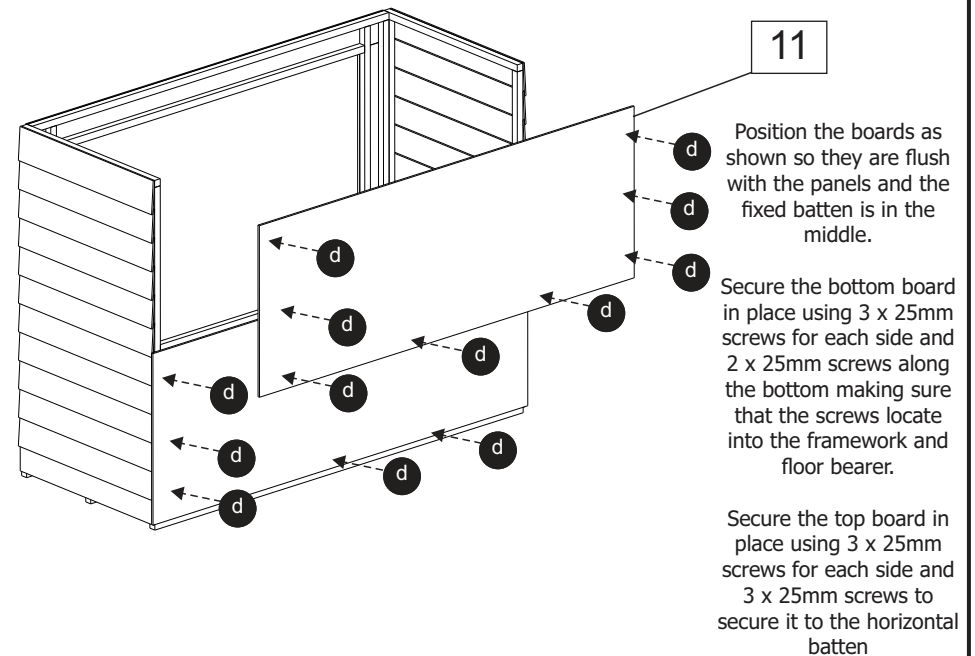
Fix the panels to the floor using 3 x 50mm screws for the front panel and 1 x 50mm screws for each of the sides, taking care to screw into the bearer underneath.

PRE-DRILL

PRE-DRILL

C

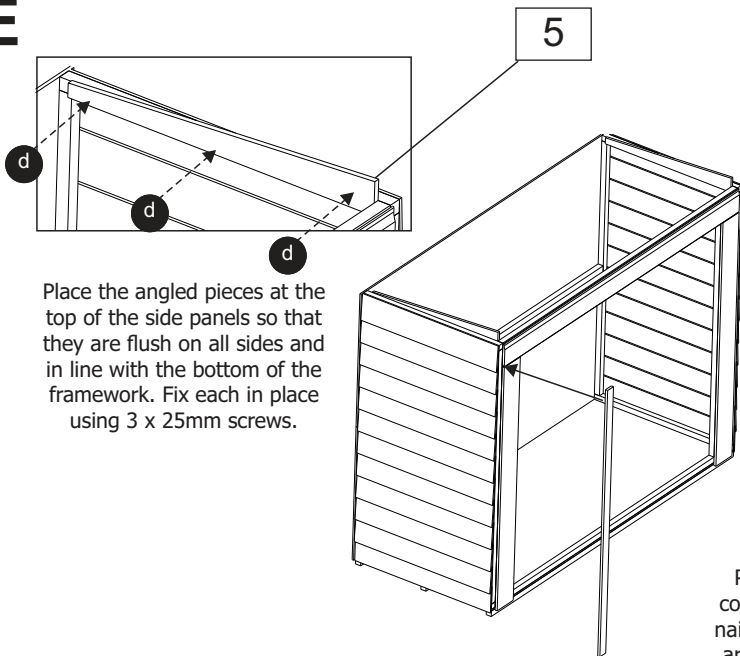
Position the board so that it is level with the centre line of the batten and offset 45mm at each end. Fix this in place using nails.

D

Position the boards as shown so they are flush with the panels and the fixed batten is in the middle.

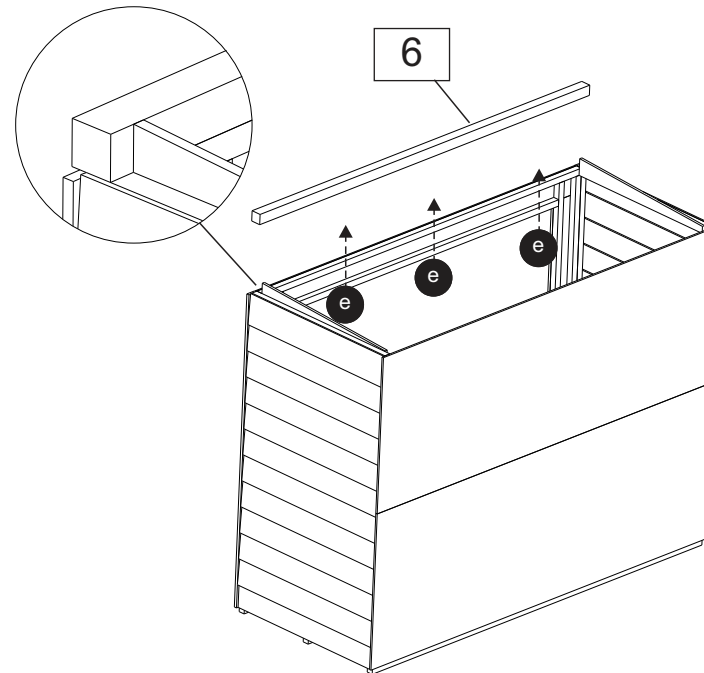
Secure the bottom board in place using 3 x 25mm screws for each side and 2 x 25mm screws along the bottom making sure that the screws locate into the framework and floor bearer.

Secure the top board in place using 3 x 25mm screws for each side and 3 x 25mm screws to secure it to the horizontal batten

E

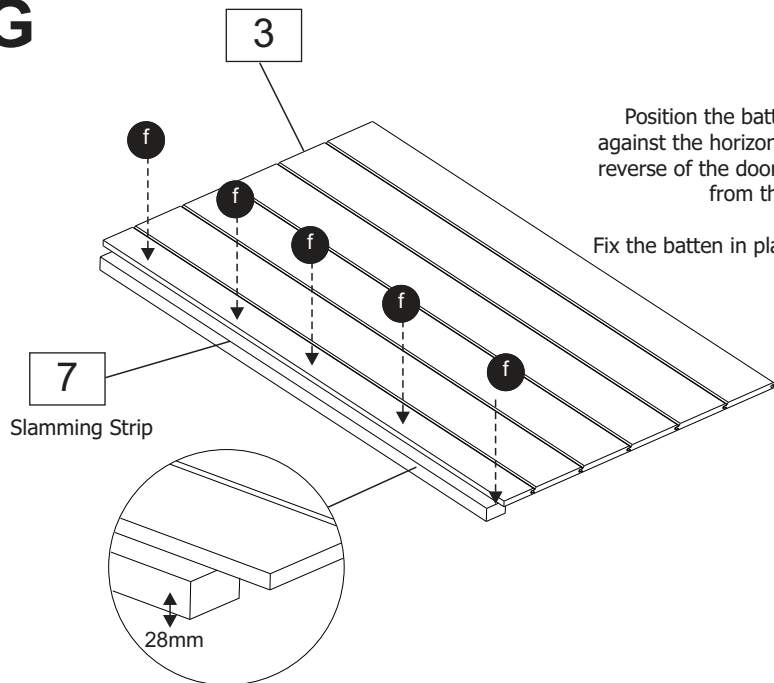
Place the angled pieces at the top of the side panels so that they are flush on all sides and in line with the bottom of the framework. Fix each in place using 3 x 25mm screws.

Place and fix each corner strip using 4 x nails. Make sure these are flush on all sides before fixing.

F

Place the batten on top of the door end and fix this in place by screwing up through the frame using 3 x 50mm screws.

PRE-DRILL

G

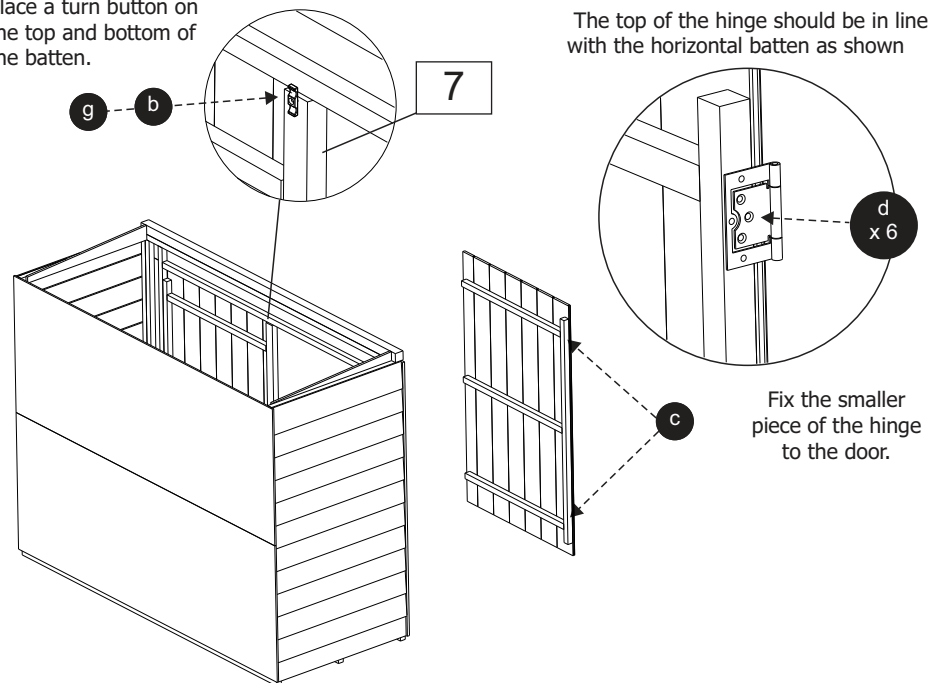
Position the batten so it is tight against the horizontal battens on the reverse of the door and offset 21mm from the top.

Fix the batten in place using 5 x nails.

PRE-DRILL

H

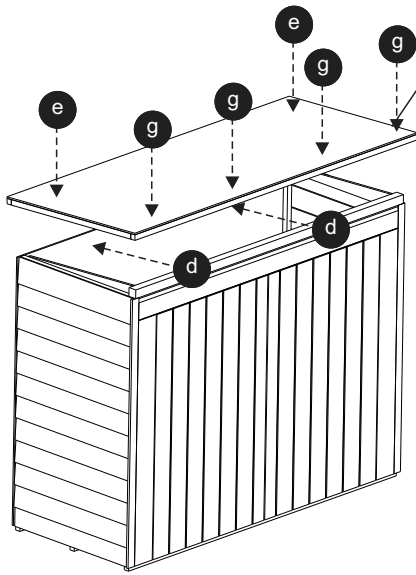
Place a turn button on the top and bottom of the batten.



The top of the hinge should be in line with the horizontal batten as shown

Fix the smaller piece of the hinge to the door.

I 4



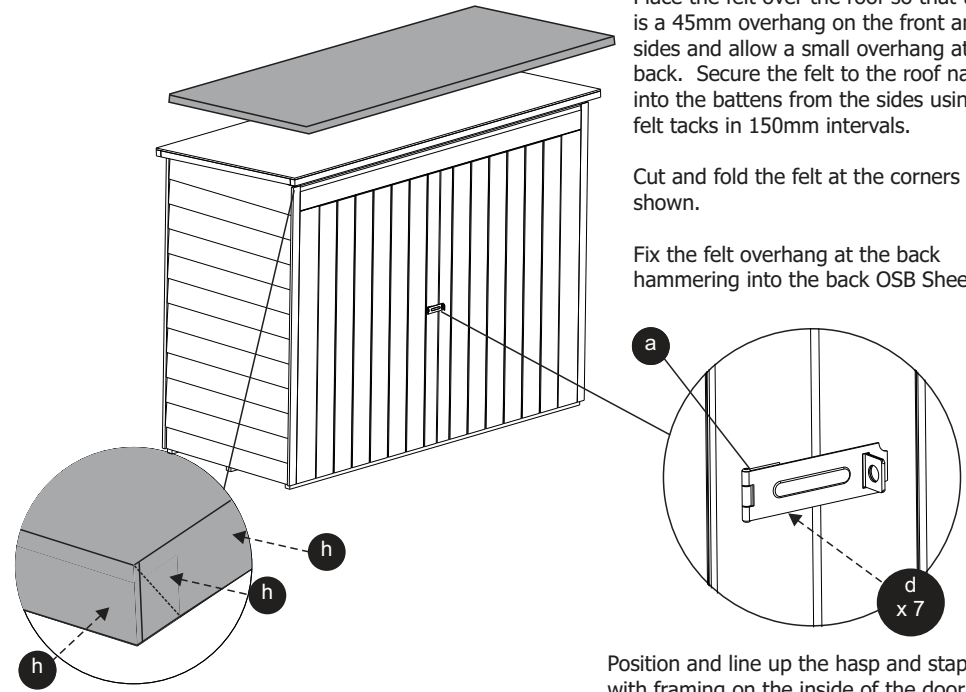
Position the roof so that the framing overhangs on all sides.

Fix the front of the roof by screwing down through the OSB sheet into the batten above the door side using 4 x 30mm screws.

Secure the sides of the roof by screwing through the OSB sheet into the framing of the sides sections using 1 x 50mm screw for each side. Take care to line up the screw and offset it from the back 100mm.

Once the roof is fixed in place, further secure the top back board from inside the unit using 2 x 25mm screws.

J



Place the felt over the roof so that there is a 45mm overhang on the front and sides and allow a small overhang at the back. Secure the felt to the roof nailing into the battens from the sides using the felt tacks in 150mm intervals.

Cut and fold the felt at the corners as shown.

Fix the felt overhang at the back hammering into the back OSB Sheet.

Position and line up the hasp and staple with framing on the inside of the door.

