

This article contains biocidal products to give protection against wood destroying insects & wood rotting fungi. Contents may vary. May contain : Basic copper carbonate (Copper (II) carbonate – Copper (II) hydroxide (1:1), Cupric oxide, Copper hydroxide carbonate, oxyethyl, ammoniumpropionate, Copper HDO, Propiconazole, Tebuconazole, Boric acid, Benzalkonium chloride. Wear gloves when handling freshly treated wood. Avoid breathing dust when cutting treated or untreated wood. Dispose of off-cuts responsibly – do not burn.

Pre-drill
for each screw
used.



Tools Required

Not Supplied

Drill/Pozi Drive
Screwdriver



Hammer



Sharp Knife



Tape Measure

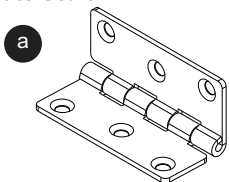


Spirit Level



Fixing Pack Code = OPPSSF

Not to Scale



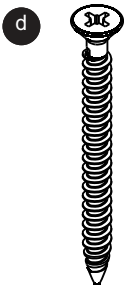
Butt Hinge Qty 2



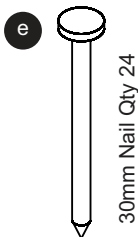
Handle Qty 1



25mm Screw Qty 20



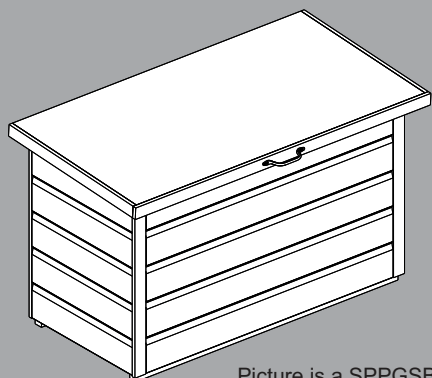
50mm Screw Qty 15



30mm Nail Qty 24



Felt Tacks Qty 30



Picture is a SPPGSB

ODPGSB (Dip Treated Storage Box) PARTS LIST

Item	Part Code	Part Description	Quantity
1	ODSSFBP	OLAP DTR STORAGE BOX FR/BK PANEL	2
2	ODSSSP	OLAP DTR STORAGE BOX SIDE PANEL	2
3	SSBLID	SMALL STORAGE BOX LID	1
4	44160578DT	STRIP 44x16x578mm DTREAT	4
5	45280953DT	BATTEN 45x28x953mm DTREAT	1
6	9534478	OSB 953x447x8mm	1
7	28280953PT	BATTEN 28x28x953mm PTREAT	2
8	56120391PAI4DT	BOARD 56x12x391mm PAR ANGLED	2
9	38120550PDT	STRIP 38x12x550mm PAR DTREAT	2
10	38121079PDT	STRIP 38x12x1079mm PAR DTREAT	1
11	85069	BLACK FELT 1.3 METRE	1

OPPGSB (Pressure Treated Storage Box) PARTS LIST

Item	Part Code	Part Description	Quantity
1	OPSSFBP	OLAP PTR STORAGE BOX FR/BK PANEL	2
2	OPSSSP	OLAP PTR STORAGE BOX SIDE PANEL	2
3	SSBLID	SMALL STORAGE BOX LID	1
4	44160578PT	STRIP 44x16x578mm PTREAT	4
5	45280953PT	BATTEN 45x28x953mm PTREAT	1
6	9534478	OSB 953x447x8mm	1
7	28280953PT	BATTEN 28x28x953mm PTREAT	2
8	56120391PAI4PT	BOARD 56x12x391mm PAR ANGLED	2
9	38120550PPT	STRIP 38x12x550mm PAR PTREAT	2
10	38121079PPT	STRIP 38x12x1079mm PAR PTREAT	1
11	85069	BLACK FELT 1.3 METRE	1

SPPGSB (Shiplap Storage Box) PARTS LIST

Item	Part Code	Part Description	Quantity
1	SPSSFBP	SLAP PTR STORAGE BOX FR/BK PANEL	2
2	SPSSSP	SLAP PTR STORAGE BOX SIDE PANEL	2
3	SSBLID	SMALL STORAGE BOX LID	1
4	40120578PPT	STRIP 40x12x578mm PAR PTREAT	4
5	45280953PT	BATTEN 45x28x953mm PTREAT	1
6	9534478	OSB 953x447x8mm	1
7	28280953PT	BATTEN 28x28x953mm PTREAT	2
8	56120391PAI4PT	BOARD 56x12x391mm PAR ANGLED	2
9	38120550PPT	STRIP 38x12x550mm PAR PTREAT	2
10	38121079PPT	STRIP 38x12x1079mm PAR PTREAT	1
11	85068	GREEN FELT 1.3 METRE	1

Garden Storage Box
OPPSSF

This fixing pack covers multiple products

Attention:

- For Domestic Use Only.
- Must be built on a **solid and level** base.
- Regularly check that all fixing are tight and secure.

Important:

Assembly of this product requires a minimum of two adults.

This product is pre-treated with a factory base coat for protection during storage and transit. We recommend that you treat your new building as soon as possible after assembly using a wood preservative treatment. Apply in accordance with the manufacturers instructions.

Pressure Treated Products:

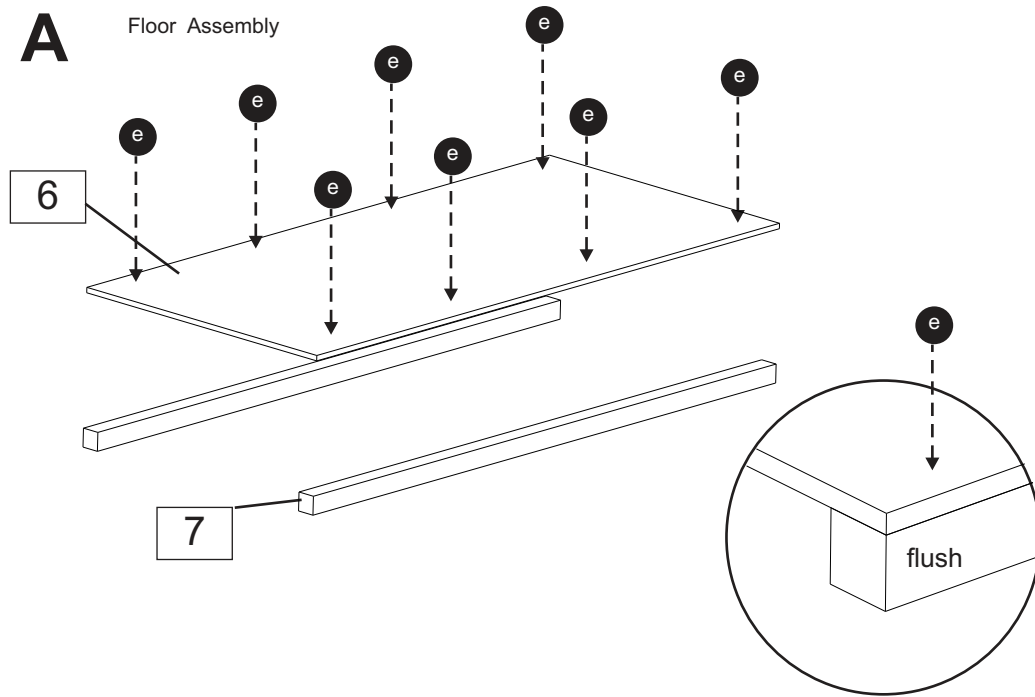
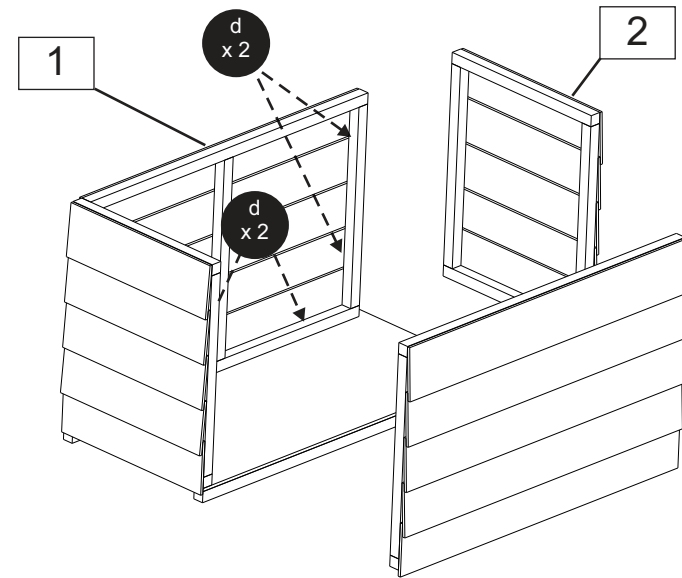
The timber in this product is pressure treated to ensure longevity and protection against rot. This may leave a colour variation but these will even out as the moisture content stabilises.

- Please keep all plastic bags and small parts away from children.
- The roof of this product is not a load bearing structure.
- Timber is a natural material and will shrink and swell as a result of varying moisture content.

In line with your statutory rights, **please check all parts prior to assembly**, as assembly of damaged parts may be deemed to be acceptance and this may affect the remedies you are entitled to. The manufacturer does not accept any liability for injury or damage to property caused by this product not being constructed in accordance with our instructions or being altered in any way.


A

Floor Assembly

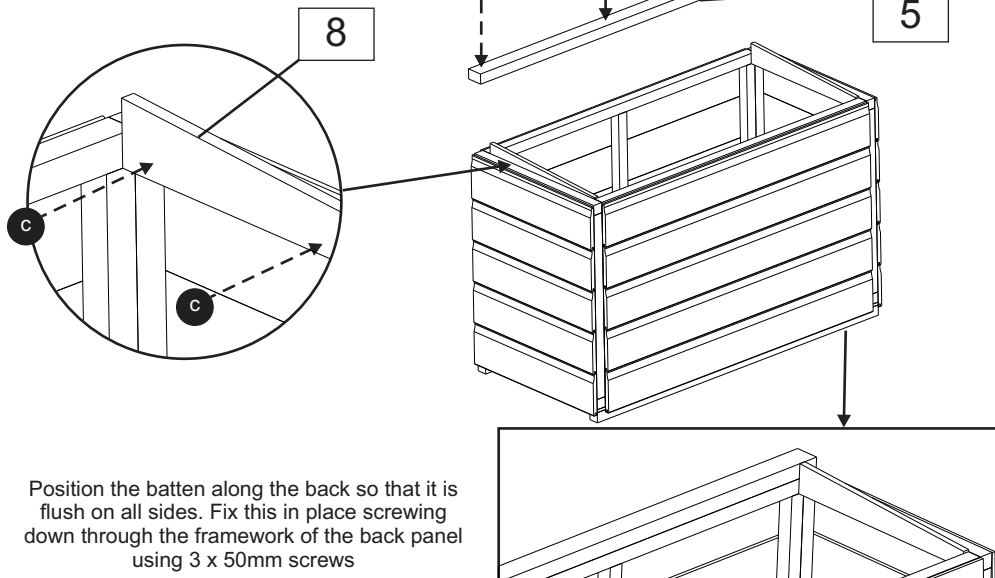
**B**

Place the panels on to the base making sure that the sides are flush and square. Fix the panels to each other using 2 x 50mm screws for each joint.

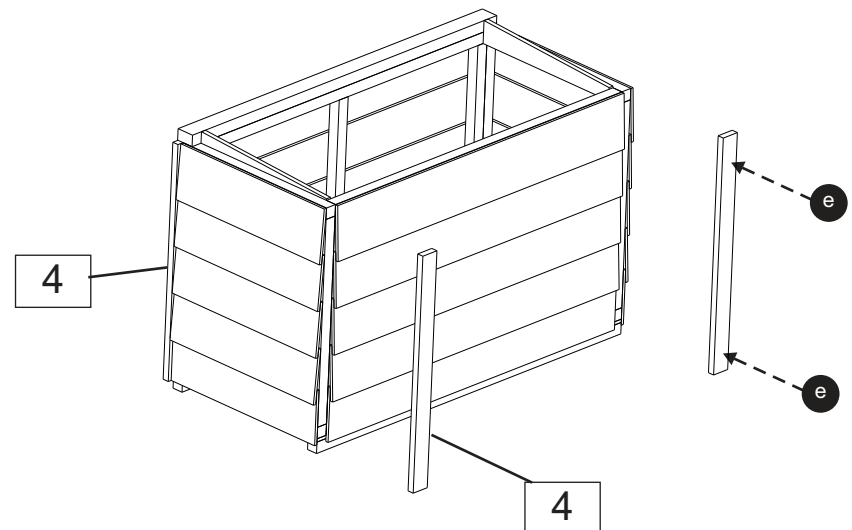
Fix the front and back panel to the floor using 2 x 50mm screws.

PRE-DRILL PRE-DRILL PRE-DRILL **C**

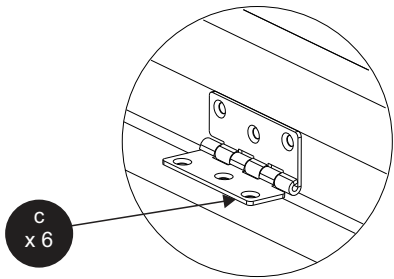
Place and fix each of the angled strips inside and against the framing. Use 2 x 25mm screws for each.



Position the batten along the back so that it is flush on all sides. Fix this in place screwing down through the framework of the back panel using 3 x 50mm screws

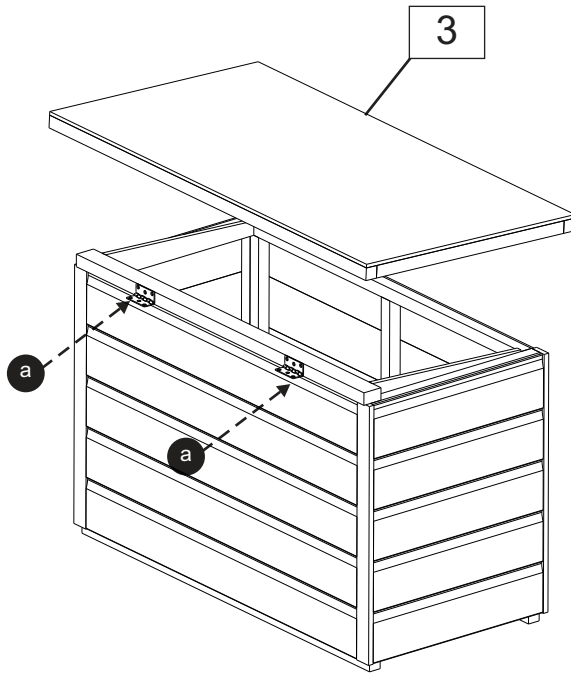
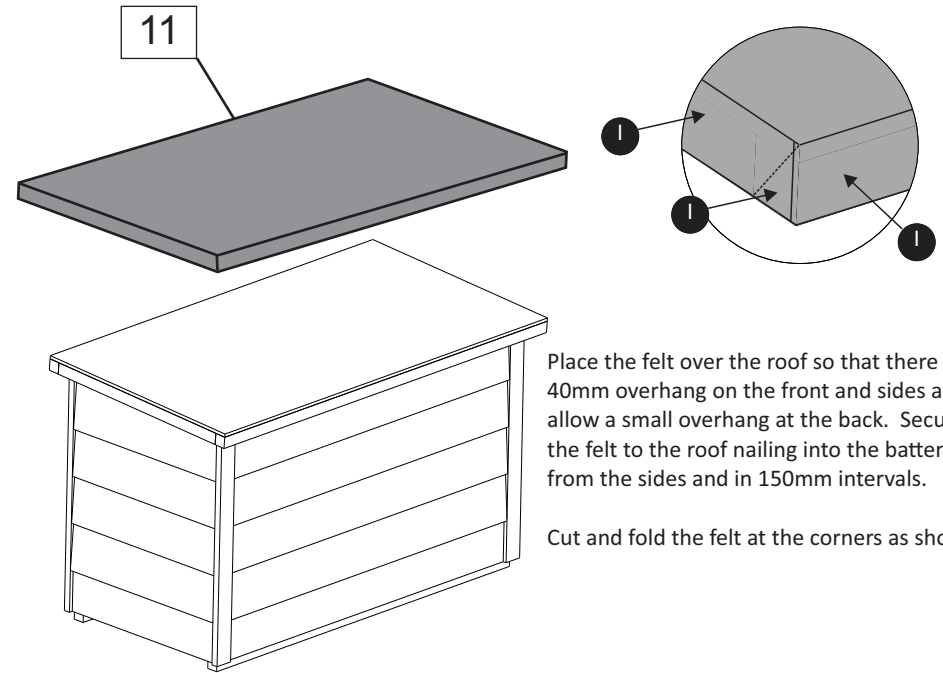
D

Place each of the corner strips so that they are tight and flush on each corner. Fix each of these in place using 2 x 30mm nails.

E

Fix the hinges so that the edge of the hinge is in line with the top of the batten and set in 200mm from the side panels.

Place the roof on top of the box and fix the other part of the hinge to the bottom of the roof batten screwing upwards.

**F**

Place the felt over the roof so that there is a 40mm overhang on the front and sides and allow a small overhang at the back. Secure the felt to the roof nailing into the battens from the sides and in 150mm intervals.

Cut and fold the felt at the corners as shown.

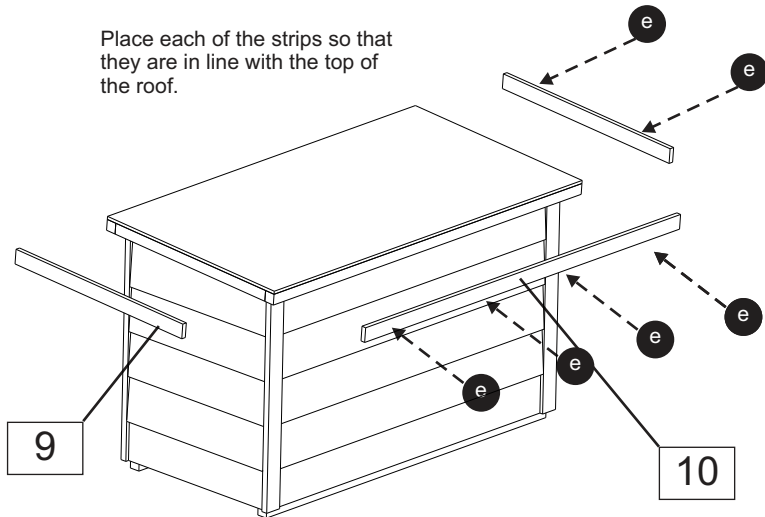
PRE-DRILL

PRE-DRILL

PRE-DRILL

G

Place each of the strips so that they are in line with the top of the roof.

**H**