

Raised Bed

ISSUE 0118

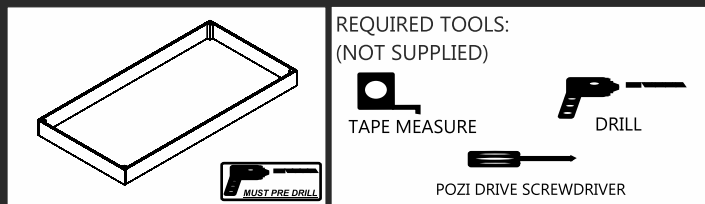
IMPORTANT, RETAIN FOR FUTURE REFERENCE: READ CAREFULLY.

Check all parts are present prior to assembly.

- Always pre-drill timber to avoid splitting.
- The timber in this product is pressure treated to ensure longevity and protection against rot. This may leave a colour variations, but these will even out as the moisture content stabilises.
- Timber is a natural material and will shrink and swell as a result of varying moisture content.
- Keep all plastic bags and parts away from children.

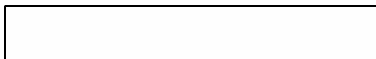
Technical Help line: 0333 7777 089 8:30am - 5:00pm Monday to Friday

In line with your statutory rights, please check all parts prior to assembly, as assembly of damaged parts may be deemed to be acceptance and this may affect the remedies you are entitled to. If the product is not constructed in accordance with the instructions, or is altered in anyway (e.g. painted), the manufacturer cannot be held liable for any resulting damage.



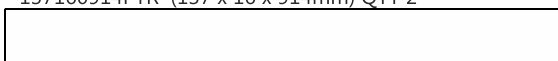
PARTS:

A



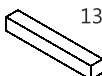
137160914PTR (137 x 16 x 914mm) QTY 2

B



137161828PTR (137 x 16 x 1828mm) QTY 2

C



28280137PTR (28 x 28 x 137mm) Post Qty 4

(FIXING PACK) UKRBF

NOT TO SCALE

For further information

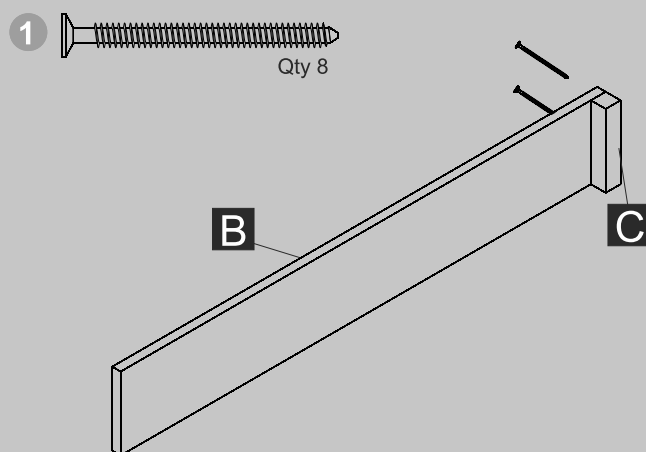


30mm

Qty 16

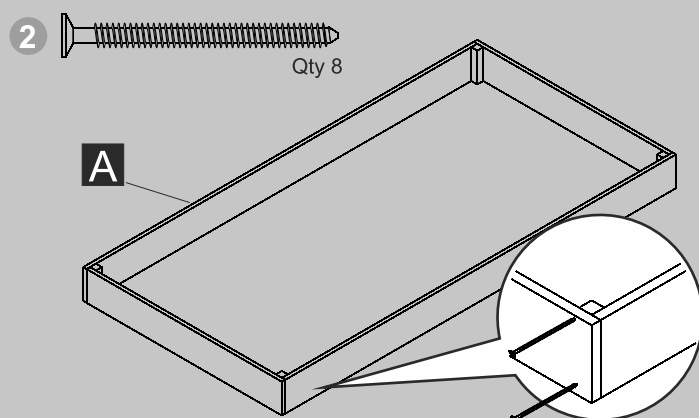


www.forestgarden.co.uk



Fix a single post to each of the four boards. Place the post so it is tight and flush on the right hand side as shown.

Secure this in place using 2 x 30mm screws, screwing through the board in to the post.



Place the four boards to each other so that they are nice and square in the corners. Fix the board to the post using 2 x 30mm screws as shown.