

READ THE INSTRUCTIONS THOROUGHLY BEFORE ASSEMBLING

This product is pressure treated to ensure longevity of all timber components and to protect against rot. This may leave a colour difference on some parts that will even out as the moisture content stabilises. This will not need additional treatment.

- Please keep all plastic bags and small parts away from children.
- The roof of this product is not a load bearing structure.
- Timber is a natural material and will shrink and swell as a result of varying moisture content.

Assembly of damaged parts may be deemed to be acceptance and this may affect the remedies you are entitled to.

If the product is not constructed in accordance with the instructions, or is altered in anyway (e.g. painted), the manufacturer cannot be held liable for any resulting damage.

Attention:

- For Domestic Use Only.
- Must be built on a **solid** and **level** base.
- Make sure all screw heads are flush.
- Regularly check that all fixings are tight and secure.
- Make sure all staples from packaging are removed.



Important:

Assembly of this product requires a minimum of two adults

Important:

Please check all parts prior to assembly.

Pre-drill

for each screw used.



Ladder



Pozidrive Screwdriver



Tape Measure



Spirit Level



Saw

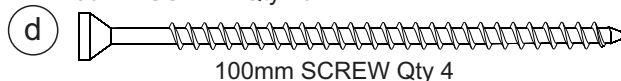
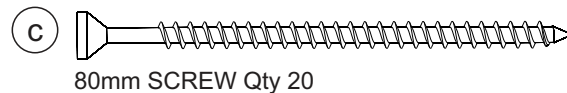
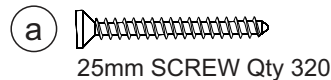


Rubber Mallet

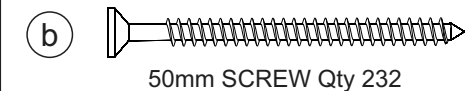
PARTS LIST

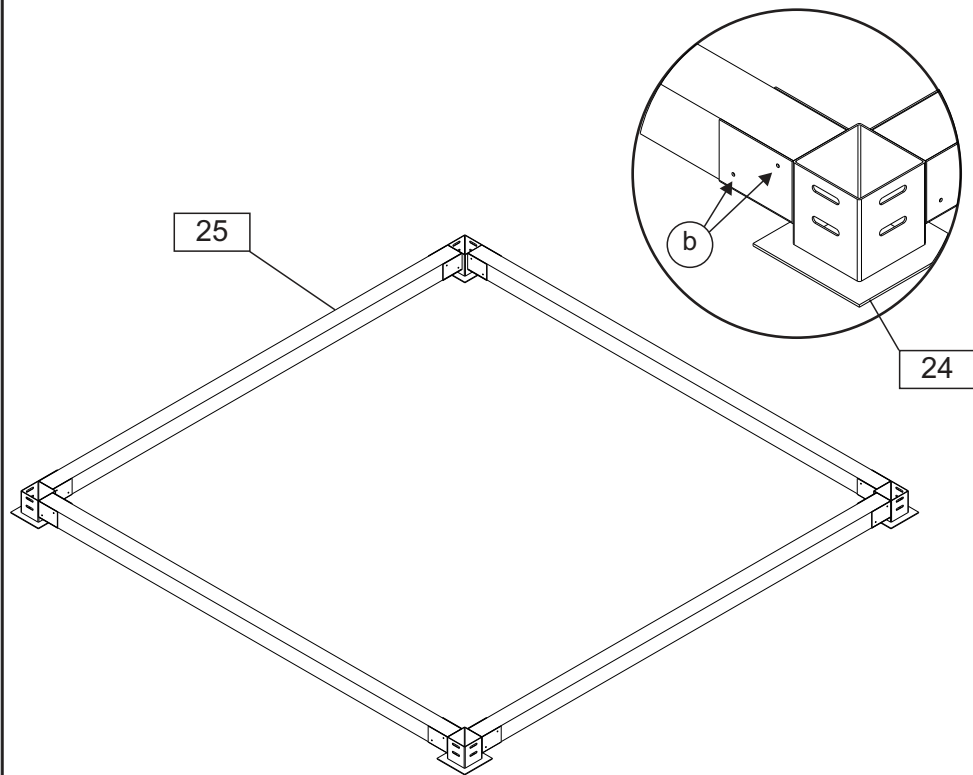
Item Number	Part Code	Part Description	Quantity
1	1201202400PARPTR	POST 120x120x2400mm PAR PTREAT	4
3	OSCRAF	OUTDOOR STRUCTURE CORNER RAFTER	4
4	88880210FINPTR	FINIAL 88x88x210mm PTREAT	1
5	150142695PARA2PTR	BOARD 150x14x2695mm PAR ANGLED PTREAT	4
6	150142506PARA2PTR	BOARD 150x14x2506mm PAR ANGLED PTREAT	4
7	150142318PARA2PTR	BOARD 150x14x2318mm PAR ANGLED PTREAT	4
8	150142129PARA2PTR	BOARD 150x14x2129mm PAR ANGLED PTREAT	4
9	150141941PARA2PTR	BOARD 150x14x1941mm PAR ANGLED PTREAT	4
10	150141752PARA2PTR	BOARD 150x14x1752mm PAR ANGLED PTREAT	4
11	150141564PARA2PTR	BOARD 150x14x1564mm PAR ANGLED PTREAT	4
12	150141375PARA2PTR	BOARD 150x14x1375mm PAR ANGLED PTREAT	4
13	150141187PARA2PTR	BOARD 150x14x1187mm PAR ANGLED PTREAT	4
14	150140998PARA2PTR	BOARD 150x14x998mm PAR ANGLED PTREAT	4
15	150140810PARA2PTR	BOARD 150x14x810mm PAR ANGLED PTREAT	4
16	150140621PARA2PTR	BOARD 150x14x621mm PAR ANGLED PTREAT	4
17	150140433PARA2PTR	BOARD 150x14x433mm PAR ANGLED PTREAT	4
18	124140244PARA2PTR	BOARD 124x14x244mm PAR ANGLED PTREAT	4
19	120282456PARA2NIPT	BOARD 120x28x2456mm PAR ANGLED NOTCHED PTREAT	4
20	120481680PARNIIA2PTR	RAFTER 120x47.5x1680mm PAR NOTCHED TWICE ANGLED PTREAT	4
21	120282400PARNIIIPT	BOARD 120x28x2400mm PAR NOTCHED	4
22	120282456PARAIIPTR	BOARD 120x28x2456mm PAR ANGLED PTREAT	4
23	90900658PAII45PT	BRACE 90x90x658mm PAR ANGLED PTREAT	8
24	VPBFT	VENPAV CORNER FOOT (BROWN)	4
25	75752214PTR	BEARER 75x75x2214mm PTREAT	4
26	1001002400NPARPTR	POST 100x100x2400mm NOTCHED PARPTREAT	3
27	PATDB1PTR	PATIO DECK BOARD - PROFILED	20

Fixing Pack (VENPAVNBFP) Not to Scale



Fixing Pack (VENPAVFP)





1

Working around clockwise place and secure each of the bearers inside the corner feet using 4x50mm screws at each end.

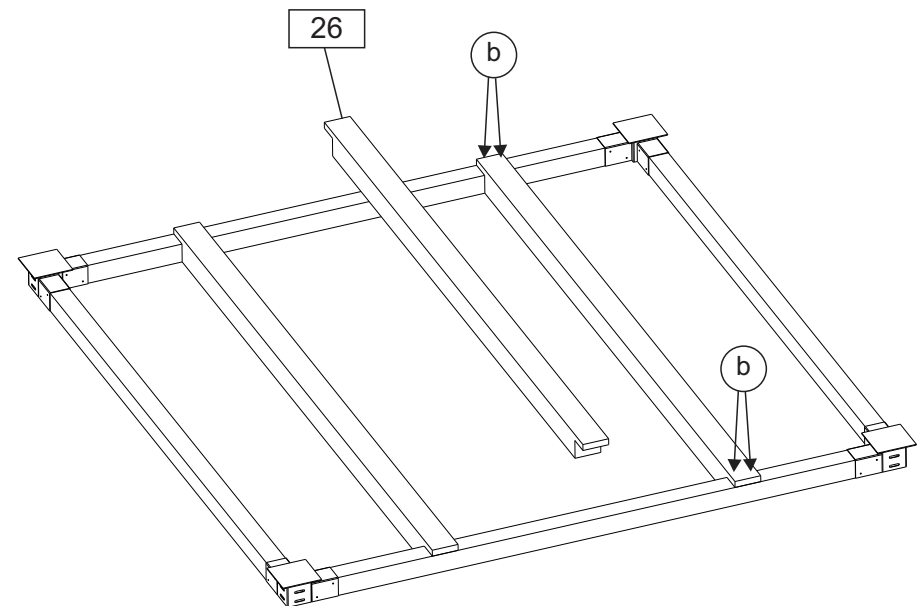
Turn the base over and secure the notched bearers using 2x50mm screws for each end.

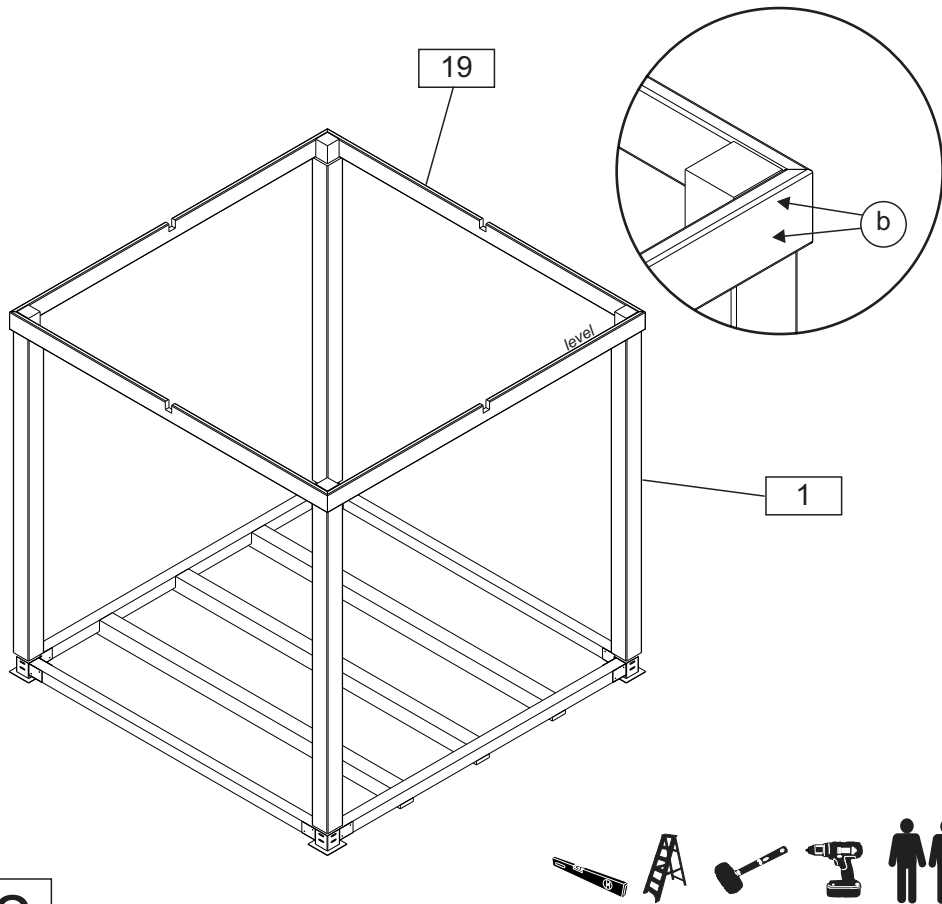
(Measure and position the bearers, starting with the middle so that they are all spaced equally.)

Turn the base back over.

Attention:

Before you begin construction we recommend that you place all the parts in the order that you will use them. Read carefully through the steps of the instructions first.





2

Slot each of the posts into the top of corner feet. You may need to use a rubber mallet to make sure these are in tight and flush.

Fix the top ring of fascias so that they sit on the lip of the posts and all meet up at the ends.

Fix the boards using 2x50mm screws at each end.

The internal ring is interlocking.

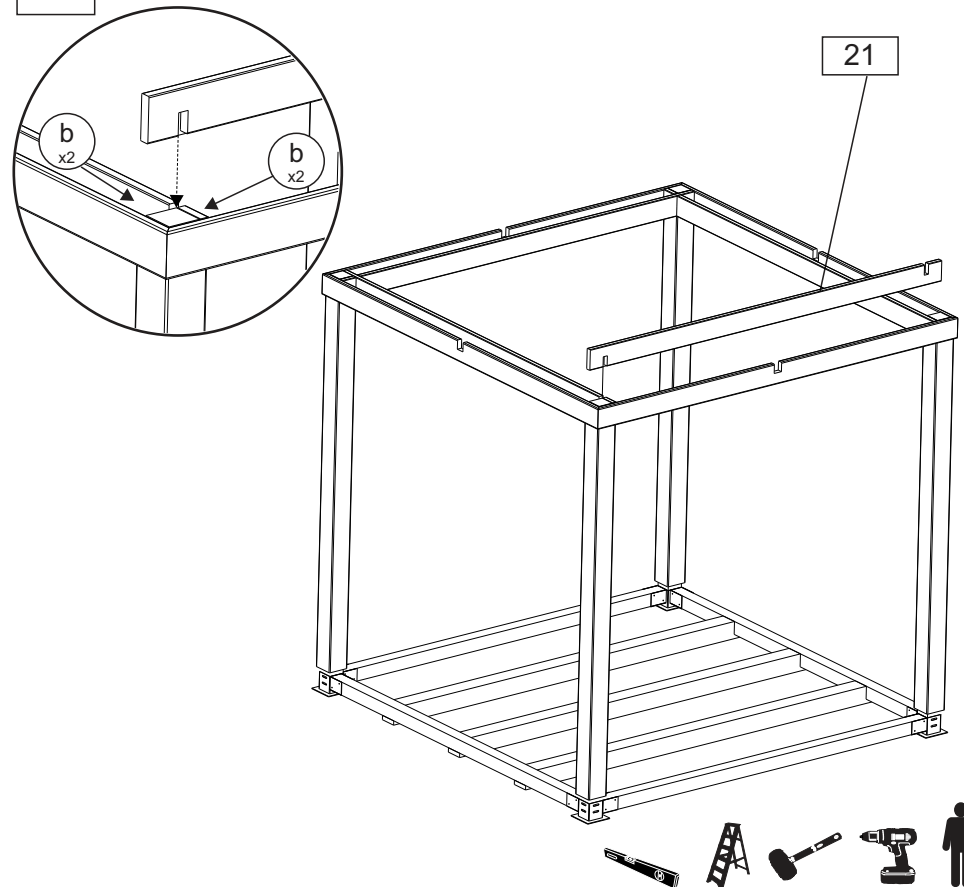
Start by positioning and lining up the back and sides first. Fix the back section using 2x50mm screws at both ends screwing into the posts.

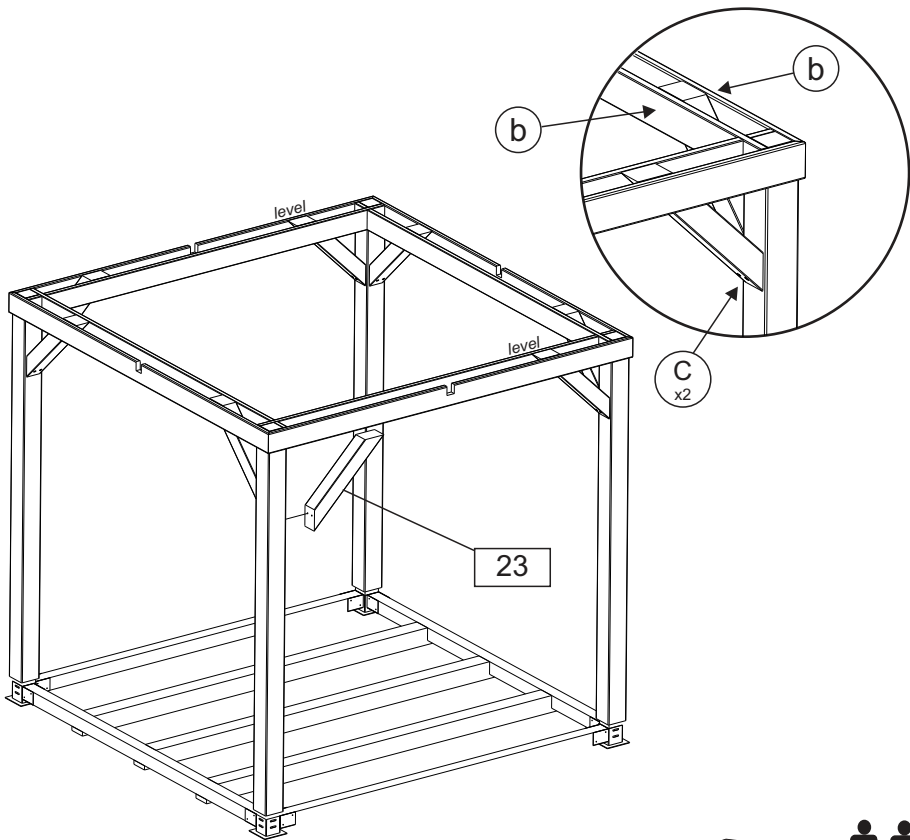
Using a rubber mallet gently tap the boards until the notches are locked.

Use a spirit level along the length of each post to make sure the product is still level and square.

When all of the sections are in place secure them to the posts with 2x50mm screws for each end.

3





4



Place the braces so that they are flush and tight against the post and level with the top of the fascia as shown. Fix the brace to the post using 2 x 80mm screws and to the fascias using 1x50mm screw through each side.

Again use a spirit level and adjust as required.

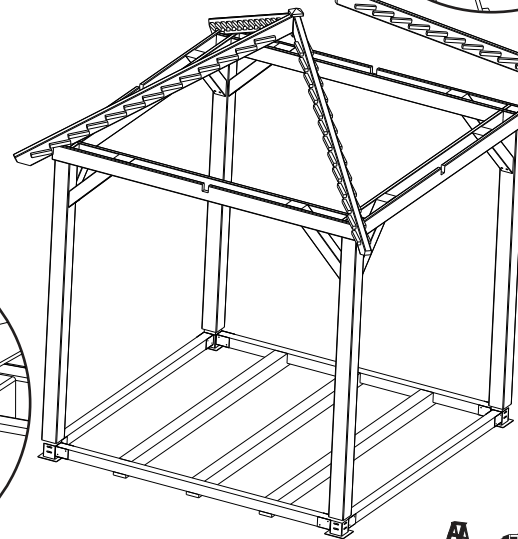
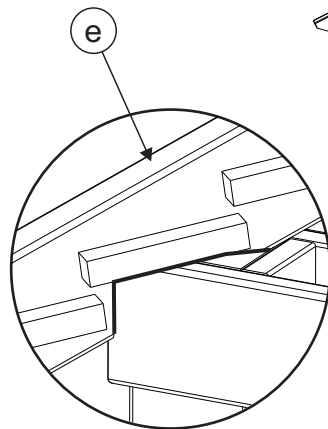
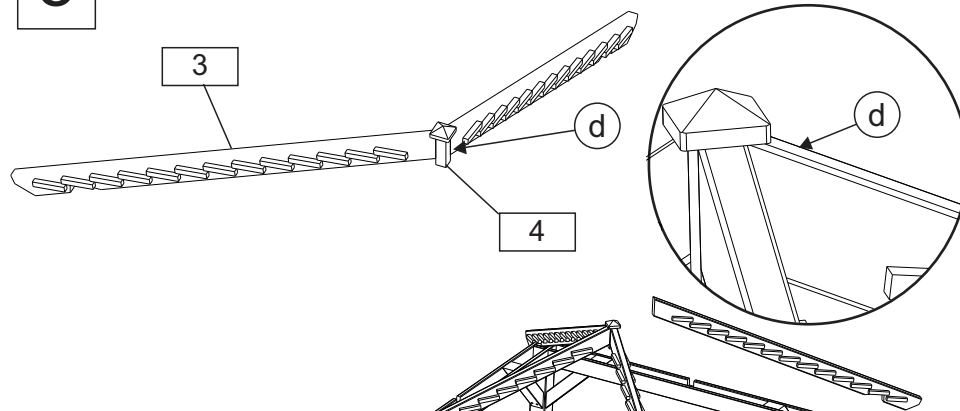
Fix two of the rafters to the finial at right angles, screwing through the finial into the end of the rafters with a single 100mm screw for each.

Lift the rafters on top of the pavilion and line the notches up. You will need a person on a ladder in the middle of the structure to keep the rafters in place and use small adjustments to make sure they are level and at the correct pitch.

Fix these in place screwing down through each rafter into the post using a 150mm screw.

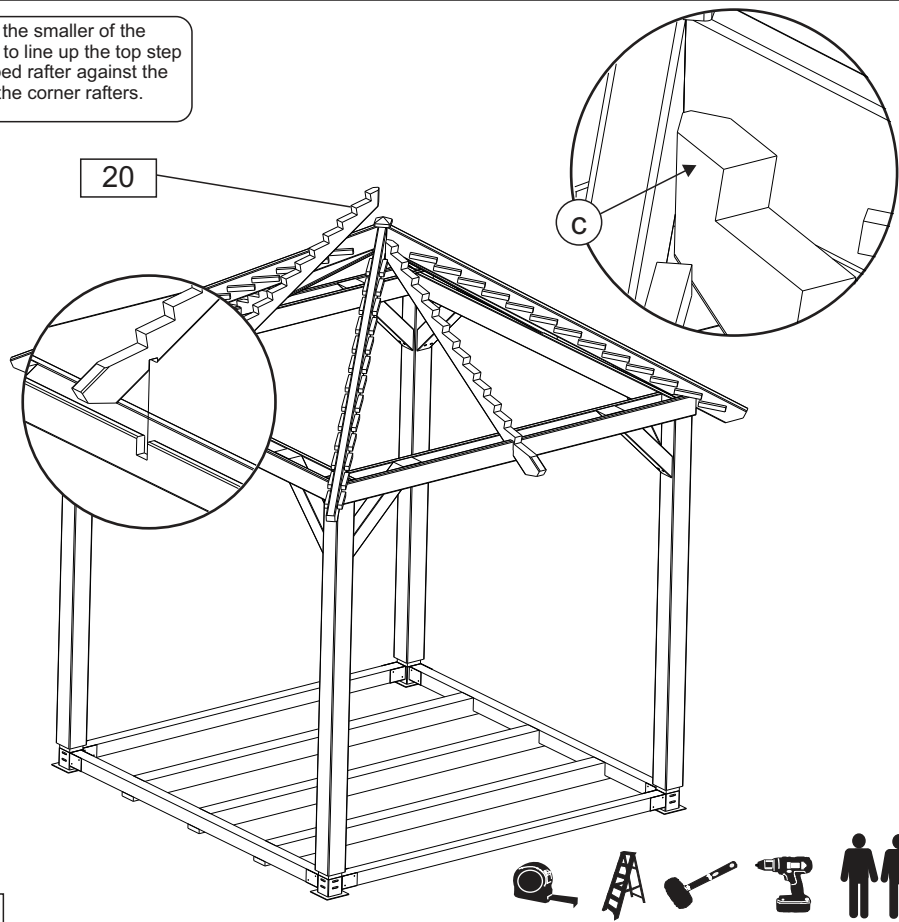
Place and fix the two remaining rafters against the finial fixing them by screwing, at an angle, through the top of the rafter into the finial using 1x100mm screw for each.

5



Help line: [0333 7777 089](tel:0333777089) 08:30 to 17:00 Monday to Friday

Hint: Use the smaller of the roof boards to line up the top step of the stepped rafter against the top step of the corner rafters.



6

Slide the stepped rafters into position. Use a rubber mallet to tap the rafter in place making sure that it is sat correctly in the notches.

Fix the middle stepped rafters to the other corner rafters using an 80mm screw, through the top step.

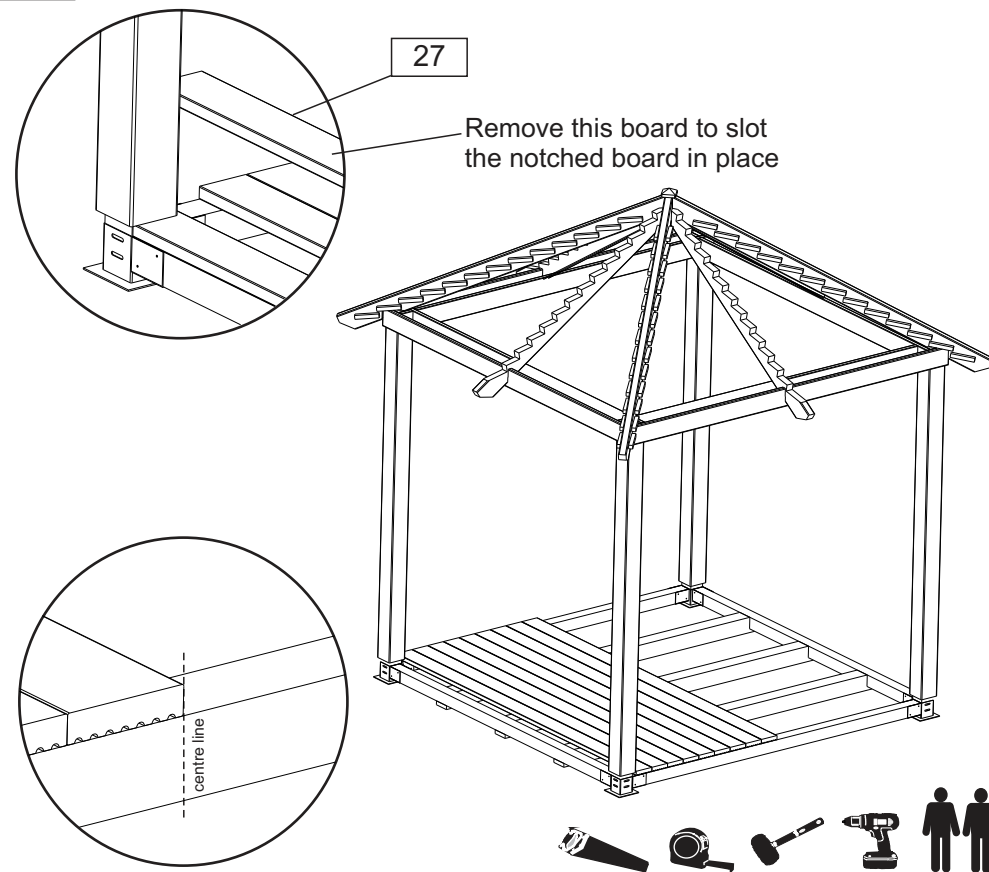
Measure and mark the centre line on the two outer bearers. Fix a deck board in line with this and using 2x50mm screws for each end.

Slide the boards up against this so that they are flush on each end and secure every fourth board just using 2 x 50mm screws for each end. Don't secure the last two boards from the end of the deck at this point.

You will need to measure up and notch the last board.

Repeat this procedure for the opposite side before fixing down each board properly using 2x50mm screws for each bearer they cross.

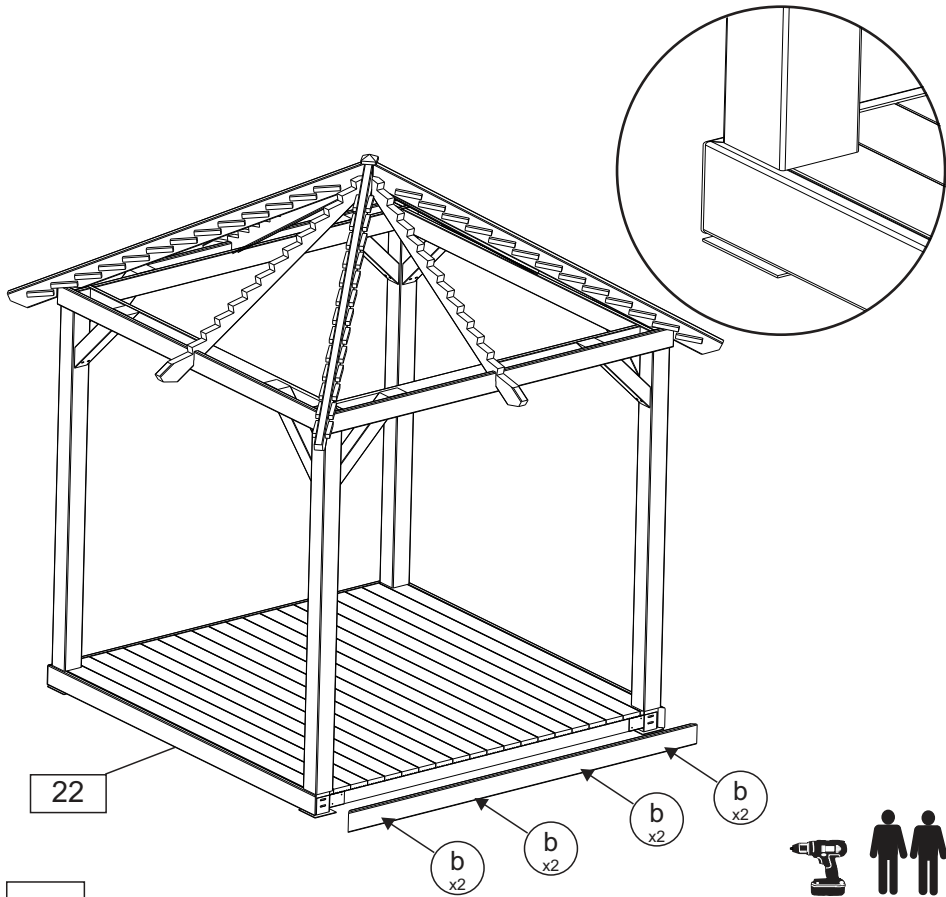
7



27

Remove this board to slot the notched board in place

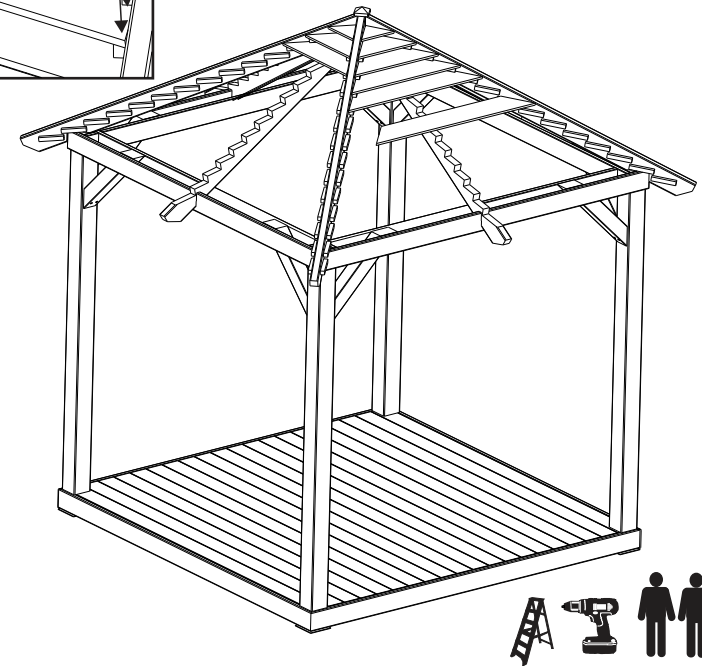
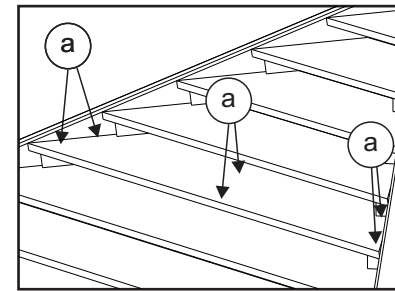
centre line



8

Place the bottom fascia boards against the outside of the deck so that they are tight under the notch, flush with the deck and line up at the corners. Fix each board in place using 8x50mm screws.

9



Starting from the top and working down secure each of the boards to the rafters and the stepped rafter using 2x25mm screws.

The top, smallest board will only need 1x25mm screw for each end.

Help line: 0333 7777 089 08:30 to 17:00 Monday to Friday